

ALLERO LED



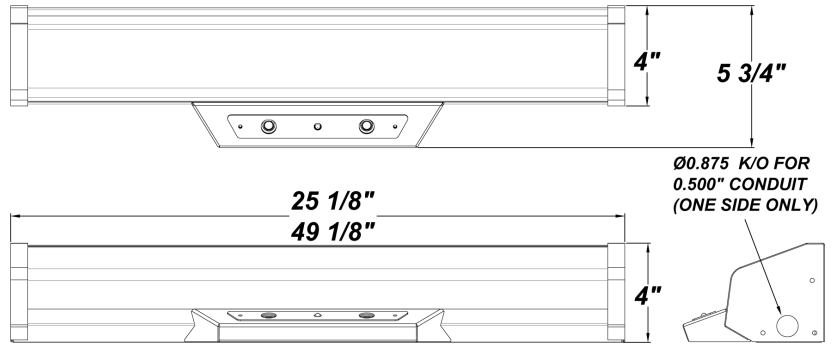
W/ MSE OPTION

SOURCE/WATTAGE	30K SPECIFICATIONS
L20.1 - 20.1W LED Strip(s) - Constant Current 550 Milliamps Driver - 28W Input	L20.1 30K - 3000K Color Temp. - 34 fV, Color Temp = 3000K Nominal - 1797 Delivered LED Lumens - 64.2 Delivered LED Lumens Per Watt

PROJECT :
TYPE :
ORDERING # :
COMMENTS :

FEATURES

- Steel Housing & End Caps w/ Matte Silver Powder Coat Finish
- Solid Top, Which Reduces Uplight
- High Impact Frosted And White Acrylic Diffuser Assembly Formulated For Use With LEDs
- Steel Reflector Plate w/ Hi-Reflectance White Powder Coat Finish
- Mounts Directly to Wall or Ceiling w/ Four Wall Anchors (Not Included)
- 0-10V and Trailing Edge (ELV) Dimming Compatible Options Available
- Constant Current, Dimmable 0-10V, 10%, 25%, And 50% Step Dimmable
- ADA Compliant
- CSA Listed Damp Location For Wall or Ceiling Mount
- L70 Life Time For 50,000hr
- IES Files Available (Tested w/ Standard White Acrylic Lens Assembly)
- Optional Mounting of Luminaire From Directing The LEDs 20 Degrees From Horizontal or flipped to 70 Degrees From Horizontal to Allow Versatility in Any Area (FS-505 Recommended in Standard Mounting Position Only)



ORDERING INFORMATION

Example : (ALO24 - L20.1 - ZE550 - 120-277V - WAL - SW - TP - 30K) Matte Silver is Standard Finish

PRODUCT	SOURCE/WATTAGE	VOLTAGE	DIMMING	DIFFUSER	FINISH	OPTIONS
Allero 25" (ALO24)	L20.1-ZE550 28W @ 550mA Constant Current Electronic Driver (Dimmable 0-10V) L20.1-TE550 22W @ 550mA Constant Current ELV Dimming Electronic Driver L20.1 = 1797 Total Delivered Lumens, Based on IES Testing 64.2 Lumens Delivered Lumens Per Watt L70 life time for 50,000hr	120 - 277V (50 / 60Hz)	SD10 - Bi-level Step Dimming (10 - 100%) SD25 - Bi-level Step Dimming (25 - 100%) SD50 - Bi-level Step Dimming (50 - 100%)	WAL - Frosted & White Acrylic Lens Assembly (Standard) FAL - Frosted Acrylic Lens	SM - Matte Silver TB - Textured Black AC - Antique Copper AS - Antique Silver BT - Bronze Mist CP - Copper SN - Sand SW - Swedish Steel BZ - Textured Bronze TW - Textured White RAL Colors or Custom Match - Consult Factory	50K - 5000K Color Temp. 40K - 4000K Color Temp. 35K - 3500K Color Temp. 30K - 3000K Color Temp. 27K - 2700K Color Temp. MSE - Wattstopper FS-505 External Motion Sensor w/ Power Pack TP - Tamper Resistant Screws F - Fused (120V / 277V Only)

REPLACEMENT PARTS PART NO.

Frosted 2' Acrylic Diffuser	3029662
White 2' Acrylic Lens Assembly	38112

We reserve the right to revise the design or components of any product due to parts availability or change in UL standards, without assuming any obligation or liability to modify any products previously manufactured, and without notice.



ALLERO LED



W/ MSE OPTION

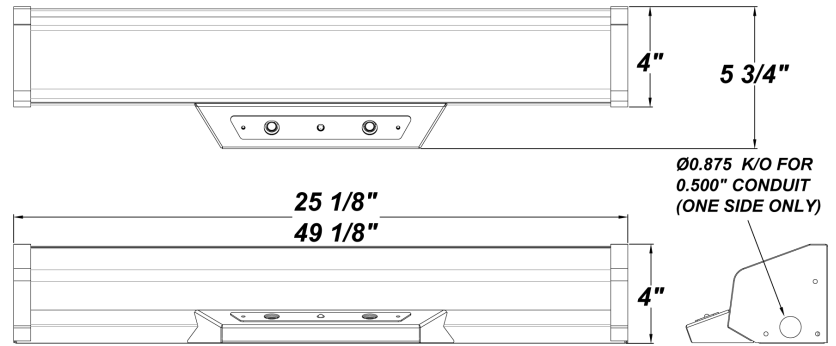
SOURCE/WATTAGE 30K SPECIFICATIONS

L38.3 - 38.3W LED Strip(s) - Constant Current 1050 Milliamps Driver - 38.3W Input	L38.3 30K - 3000K Color Temp. - 34 fV, Color Temp = 3000K Nominal - 3505 LED Lumens - 91.5 Delivered LED Lumens Per Watt
--	---

PROJECT :
TYPE :
ORDERING # :
COMMENTS :

FEATURES

- Steel Housing & End Caps w/ Matte Silver Powder Coat Finish
- Solid Top, Which Reduces Uplight
- High Impact Frosted And White Acrylic Diffuser Assembly Formulated For Use With LEDs
- Steel Reflector Plate w/ Hi-Reflectance White Powder Coat Finish
- Mounts Directly to Wall or Ceiling w/ Four Wall Anchors (Not Included)
- 0-10V and Trailing Edge (ELV) Dimming Compatible Options Available
- Constant Current, Dimmable 0-10V, 10%, 25%, And 50% Step Dimmable
- ADA Compliant
- CSA Listed Damp Location For Wall or Ceiling Mount
- L70 Life Time For 50,000hr
- IES Files Available (Tested w/ Standard White Acrylic Lens Assembly)
- Optional Mounting of Luminaire From Directing The LEDs 20 Degrees From Horizontal or flipped to 70 Degrees From Horizontal to Allow Versatility in Any Area (FS-505 Recommended in Standard Mounting Position Only)



ORDERING INFORMATION

Example : (ALO48 - L38.3 - ZE1050 - 347V - WAL - SW - 30K - TP)

Matte Silver is Standard Finish

PRODUCT	SOURCE/WATTAGE	VOLTAGE	DIMMING	DIFFUSER	FINISH	OPTIONS
Allero 49"	ALO48-L38.3-ZE1050 42W @ 1050mA Constant Current Dimming Electronic Driver (Dimmable 0-10V)	120 - 277V 347V (50 / 60Hz)	SD10 - Bi-level Step Dimming (10 - 100%) (347V only)	WAL - Frosted & White Acrylic Lens Assembly (Standard) FAL - Frosted Acrylic Lens	SM - Matte Silver TB - Textured Black AC - Antique Copper AS - Antique Silver BT - Bronze Mist CP - Copper SN - Sand SW - Swedish Steel BZ - Textured Bronze TW - Textured White RAL Colors or Custom Match - Consult Factory	50K - 5000K Color Temp. 40K - 4000K Color Temp. 35K - 3500K Color Temp. 30K - 3000K Color Temp. 27K - 2700K Color Temp. MSE - Wattstopper FS-505 External Motion Sensor w/ Power Pack EB - BSL310LP Emergency Ballast (120V - 277V Only) TP - Tamper Resistant Screws F - Fused (120V / 277V Only)
	ALO48-L34.7-TE950 40W @ 950mA Constant Current ELV Dimming Electronic Driver (120V - 277V Only)		SD25 - Bi-level Step Dimming (25 - 100%) (120V / 277V Only)			
	L70 life time for 50,000hr		SD50 - Bi-level Step Dimming (50 - 100%) (120V / 277V Only)			

REPLACEMENT PARTS

PART NO.

Frosted 4' Acrylic Diffuser	3001562
White 4' Acrylic Lens Assembly	38113

We reserve the right to revise the design or components of any product due to parts availability or change in UL standards, without assuming any obligation or liability to modify any products previously manufactured, and without notice.

