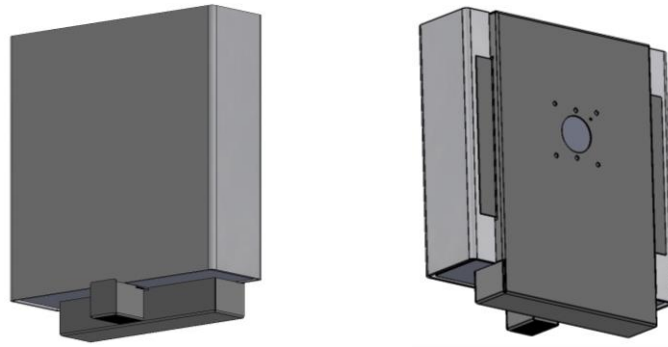




**INSTALLATION & MAINTENANCE INSTRUCTIONS  
FOR THE  
Bel Air - LED  
Wall Mounted Luminaire** 76191

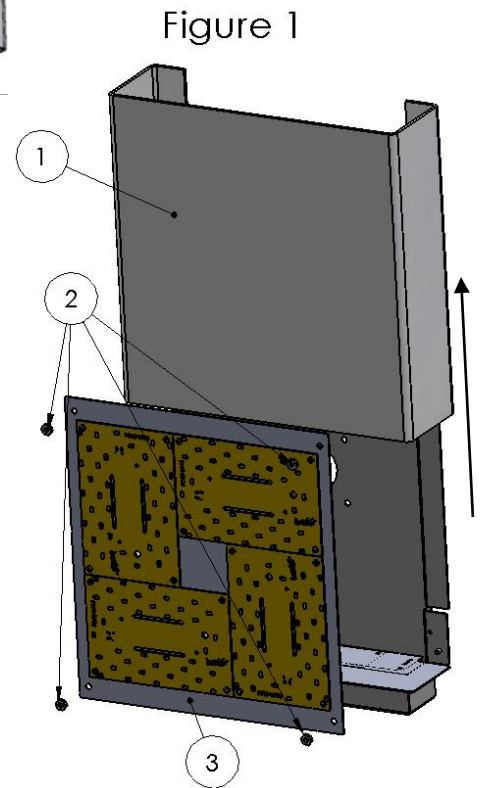
**WARNING:** DISCONNECT POWER PRIOR TO INSTALLATION OR SERVICING OF FIXTURE

**NOTE:** THIS PRODUCT MUST BE INSTALLED IN ACCORDANCE WITH THE APPLICABLE LOCAL & NATIONAL ELECTRICAL CODES BY A PERSON FAMILIAR WITH THE CONSTRUCTION AND FAMILIAR WITH THE OPERATION OF THE PRODUCT AND HAZARDS INVOLVED.



**INSTALLATION**

1. Remove any excess packing from the fixture.
2. Remove front lens (1) in Figure 1 by gently sliding it up, direction shown by arrow in Figure 1.
3. Remove LED mounting plate (3) in Figure 1 by taking off the 4 nuts (2) in Figure 1 within the fixture.
4. Bel Air fixtures are designed to be mounted directly to the 4" Octagonal J-Box (By Others).
5. Pull the supply leads into the housing, and mount the housing to the wall anchors.
6. Connect the fixture leads to the supply leads. Teron stipulates the Black as Line, White as Common, and Bare/Green as ground.
7. Reassemble fixture by reattaching the LED mounting plate and lens, securing the LED mounting plate with removed hardware.



**MAINTENANCE**

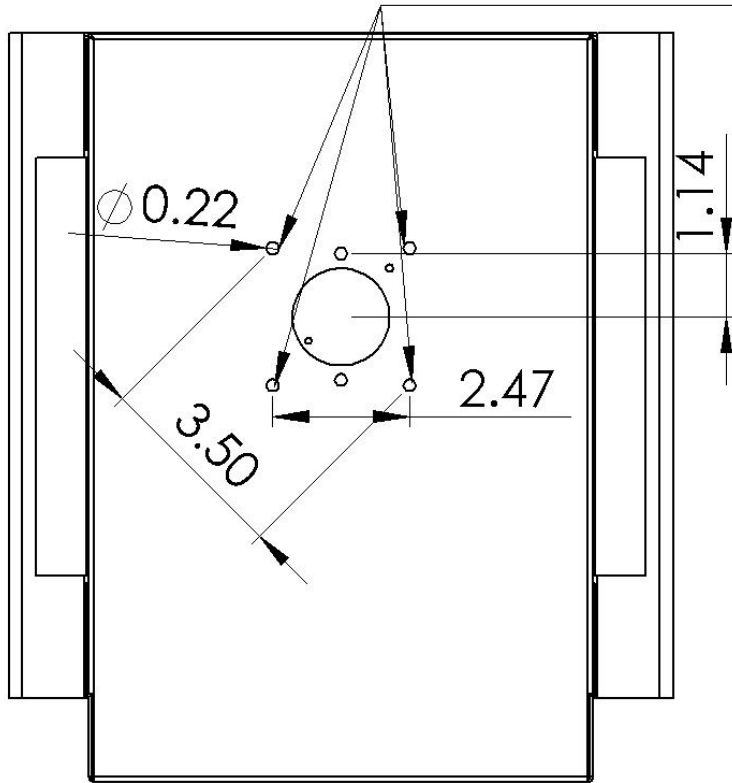
The lens should be cleaned once every 6 months. It must be washed in a mild soap solution.

**DO NOT** use cleansers containing bleach.

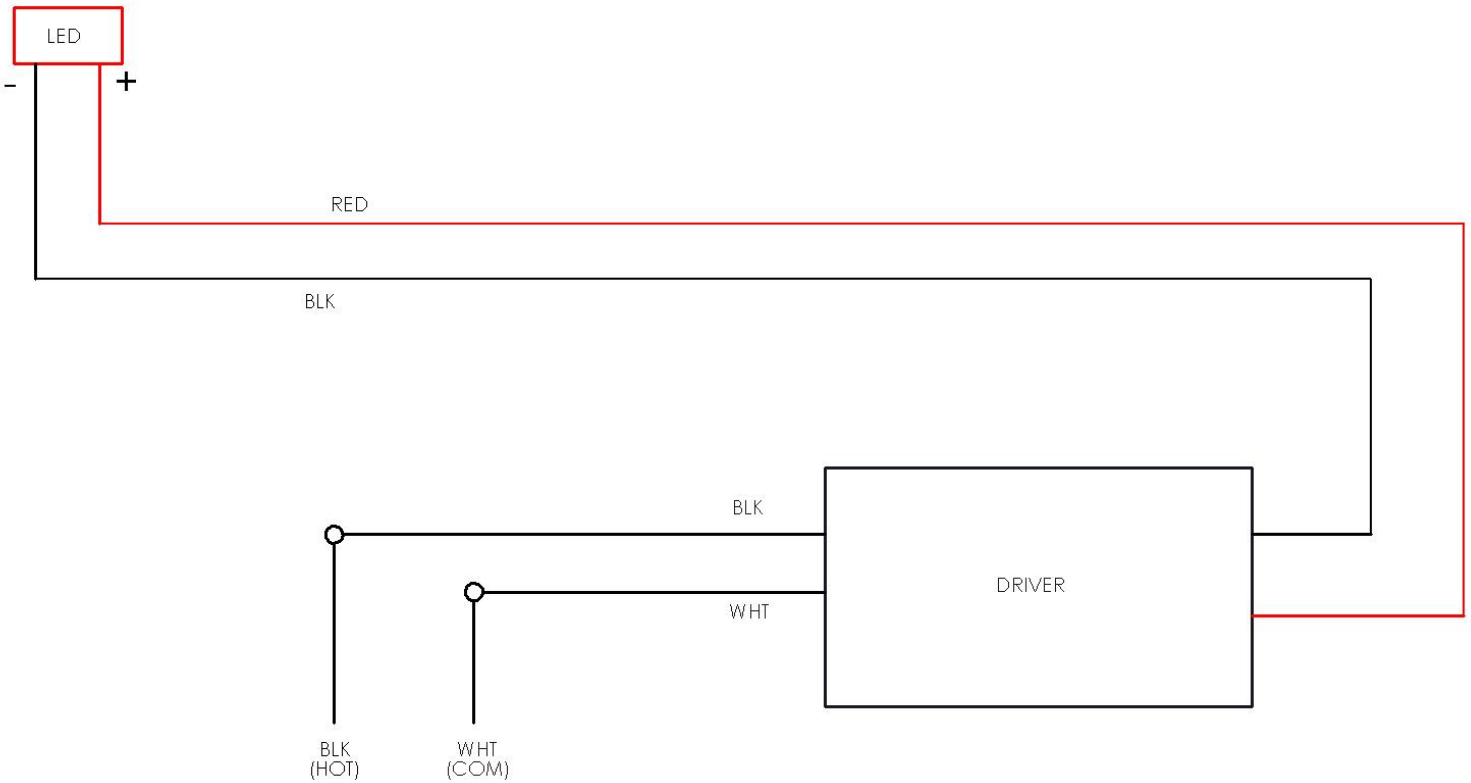
The metal portion of the fixture can be wiped clean as needed using a mild soap solution.

**ATTENTION:** Avoid moving any exposed wires. If any wires are accidentally disconnected, call a professional to repair.

# MOUNTING HOLES



**NOTE:** Verify the mounting hole dimensions before installing the fixture.



Generic Led Wiring Diagram