

FUSION MON LED

Architectural Indoor



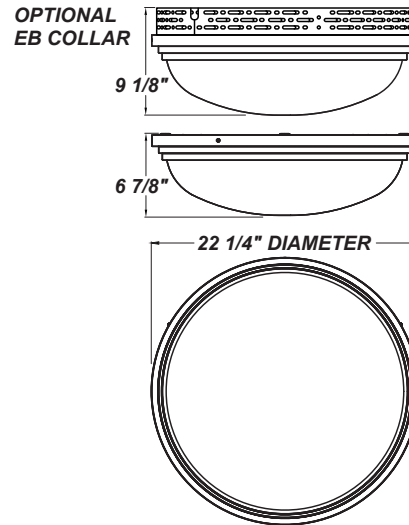
PROJECT:	
TYPE:	
PO#:	QTY:
COMMENTS:	

FEATURES

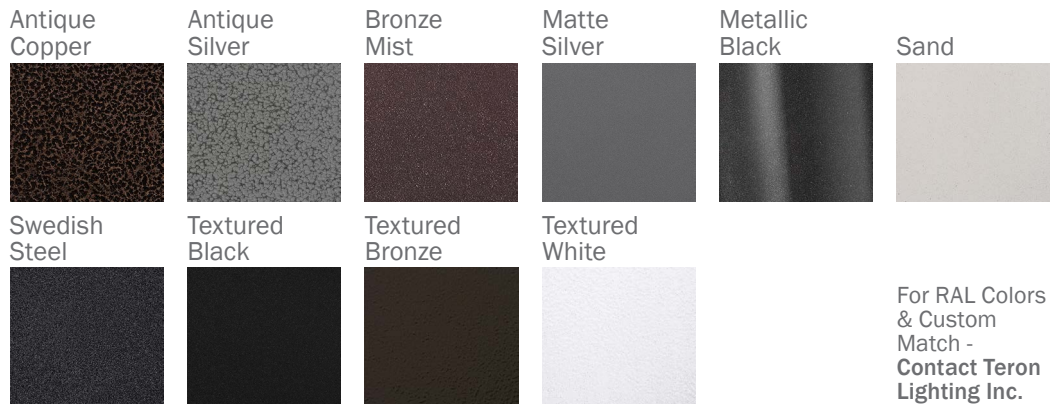
- Steel Trim w/ Matte Silver Powder Coat Finish
- Luminous White Acrylic Diffuser
- Aluminum Mounting Pan w/ Hi-Reflectance White Powder Coat Finish
- Fixture Mounts Directly to Surface (Centered Over J-Box) w/ Four Washers and Wall Anchors (Not Included)
- Constant Current at 1750 Milliamps
- Surge Protector
- IES and Photometric Files Available
- CSA Listed Damp Location For Ceiling Mount
- Emergency Battery Available
- LED Light Fixture
- Vandal Resistant

LINE DRAWING

LINE DRAWING NOT TO SCALE



FINISHES



FUSION MON LED

Architectural Indoor



Fixture Core

PROJECT:	
TYPE:	
PO#:	QTY:
COMMENTS:	

PRODUCT CODE	SOURCE/WATTAGE	VOLTAGE	DIMMING DRIVER
FUN - Fusion	L50.0-ZE1750 - (4) 12.5W (40) LED Modules @ 1750mA Line Voltage 4-Wire Dimming Driver (Dimmable 0 - 10V)	120V 277V (50 / 60Hz)	Not Applicable
ORDER INFO			
FUN Example ^	L50.0-ZE1750	120V	ZE1750

Aesthetics & Options

TRIM	FINISH	COLOR TEMP	OPTIONS
MON	AC - Antique Copper AS - Antique Silver BT - Bronze Mist MB - Metallic Black SM - Matte Silver (Standard) SN - Sand SW - Swedish Steel TB - Textured Black BZ - Textured Bronze TW - Textured White	30K - 3000K Color Temp 35K - 3500K Color Temp 40K - 4000K Color Temp	BB - Slotted Collar EBW - Integral EM Battery (BB Required)(Specify Voltage) F - Fused TP - Tamper Resistant Screws
ORDER INFO			
MON Example ^	AC	30K	BB

PROD	SOURCE	40K SPECS			
FUN	L50.0	<ul style="list-style-type: none"> 40K - 4000K Color Temp 8450 LED Source Lumens 169 LED Source Lumens Per Watt 3680.4 Delivered LED Lumens 59.4 Delivered LED Lumens Per Watt 			

REPLACEMENT PART	PART NO	NOTES
White Acrylic Lens	3052260	

Don't see the configuration you are looking for?
Call us today at (513) 858-6004



TERONLIGHTING.COM
 33 DONALD DR, FAIRFIELD, OH 45014
 P: 513.858.6004 F: 513.858.6038
 E: SALES@TERONLIGHT.COM



We reserve the right to revise the design components of any product due to parts availability or change in UL standards, without assuming any obligation or liability to modify any products previously manufactured, and without notice.