

DIAMONDHEAD LED 36"

Architectural Indoor



PROJECT:	
TYPE:	
PO#:	QTY:
COMMENTS:	



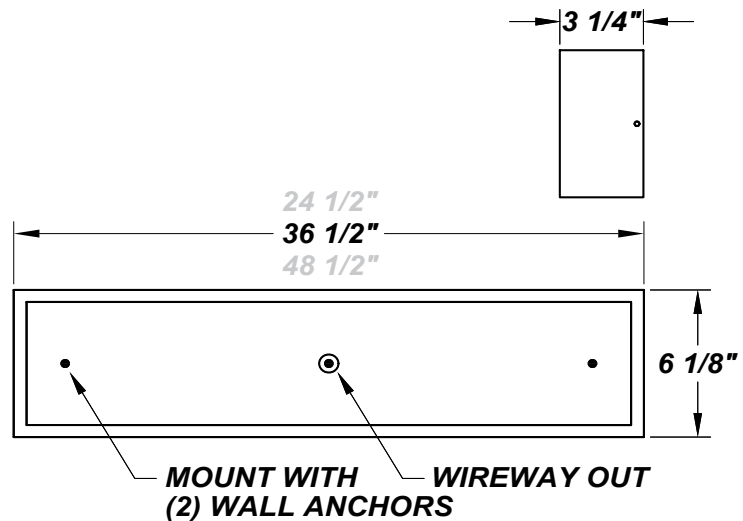
FEATURES

- Steel Housing w/ Swedish Steel Powder Coat Finish
- Steel Mount Pan w/ White Powder Coat Finish
- Aluminum Reflector w/ Hi-Reflectance White Powder Coat Finish
- Mounts Directly to Surface w/ Two Wall Anchors (Not Included)
- ADA Compliant
- CSA Listed Damp Location For Wall or Ceiling Mounting
- Emergency Battery Available
- LED Light Fixture
- Vandal Resistant

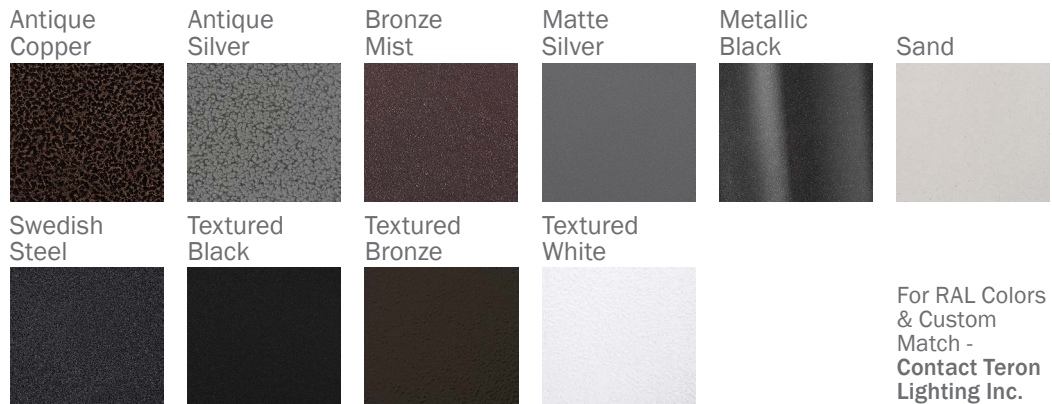


LINE DRAWING

LINE DRAWING NOT TO SCALE



FINISHES



DIAMONDHEAD LED 36"

Architectural Indoor



Fixture Core

PROJECT:	
TYPE:	
PO#:	QTY:
COMMENTS:	

PRODUCT CODE	SOURCE/WATTAGE	VOLTAGE	DIMMING DRIVER
DD36 - Diamondhead 36"	L35.0-ZE1100 - 35W @ 1100mA 0-10V Dimming Driver L38.0-LT1200 - 38W @1200mA ELV Dimming Driver	120V 277V (120-230V Dimmable)	Not Applicable
ORDER INFO			
DD36 Example ^	L35.0-ZE1100	120V	Not Applicable

Aesthetics & Options

TRIM	FINISH	COLOR TEMP	OPTIONS
Not Applicable	AC - Antique Copper AS - Antique Silver BT - Bronze Mist MB - Metallic Black SM - Matte Silver SN - Sand SW - Swedish Steel (Standard) TB - Textured Black BZ - Textured Bronze TW - Textured White	27K - 2700K Color Temp 30K - 3000K Color Temp 35K - 3500K Color Temp 40K - 4000K Color Temp 50K - 5000K Color Temp	EB - 5.1W Intergral EM Battery F - Fused TP - Tamper Resistant WAL - White Acrylic Lens WLL - High Lumen White Acrylic Lens (Standard)
ORDER INFO			
Not Applicable Example ^	AC	27K	EB

PROD	SOURCE	30K SPECS				
DD 36"	L35.0	<ul style="list-style-type: none"> 30K - 3000K Color Temp 5073 LED Source Lumens 145 LED Source Lumens Per Watt 				
	L38.0	<ul style="list-style-type: none"> 30K - 3000K Color Temp 5508 LED Source Lumens 145 LED Source Lumens Per Watt 				

REPLACEMENT PART	PART NO	NOTES
36" White Acrylic Front Lens Panel	3028260	Don't see the configuration you are looking for? Call us today at (513) 858-6004
36" Frosted White Acrylic Front Lens Panel	3028262	
36" White Acrylic Side Lens Panel	3028160	
36" Frosted White Acrylic Side Lens Panel	3028162	



TERONLIGHTING.COM
33 DONALD DR, FAIRFIELD, OH 45014
P: 513.858.6004 F: 513.858.6038
E: SALES@TERONLIGHT.COM



We reserve the right to revise the design components of any product due to parts availability or change in UL standards, without assuming any obligation or liability to modify any products previously manufactured, and without notice.