

TRITON LED

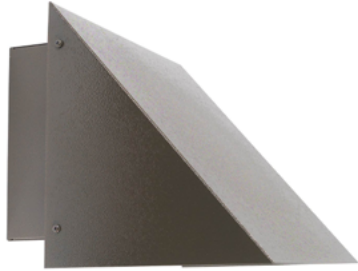
Architectural Outdoor



PROJECT:	
TYPE:	
PO#:	QTY:
COMMENTS:	

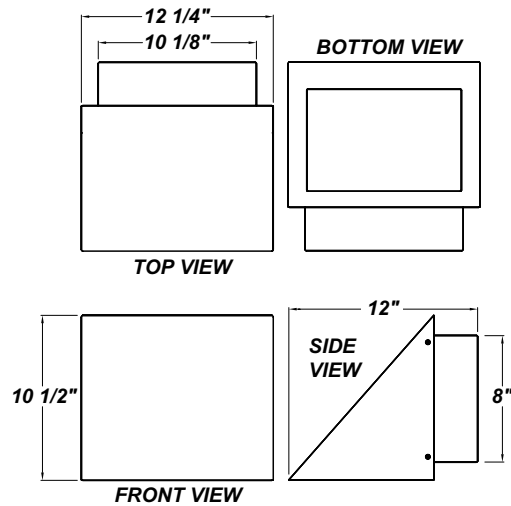
FEATURES

- Aluminum Housing w/ Textured Bronze Polyester Powder Coat Finish
- Aluminum Reflector
- Clear Tempered Glass Diffuser
- CSA Listed Wet Location For Wall Mounting -Down Light only
- Dark Sky Compliant
- Fully Gasketed
- Integral Emergency Battery Available
- LED Light Fixture
- Mounts Direct to Flat Surface w/ Two #8 Wall Anchors (Not Included)
- Surge Protector

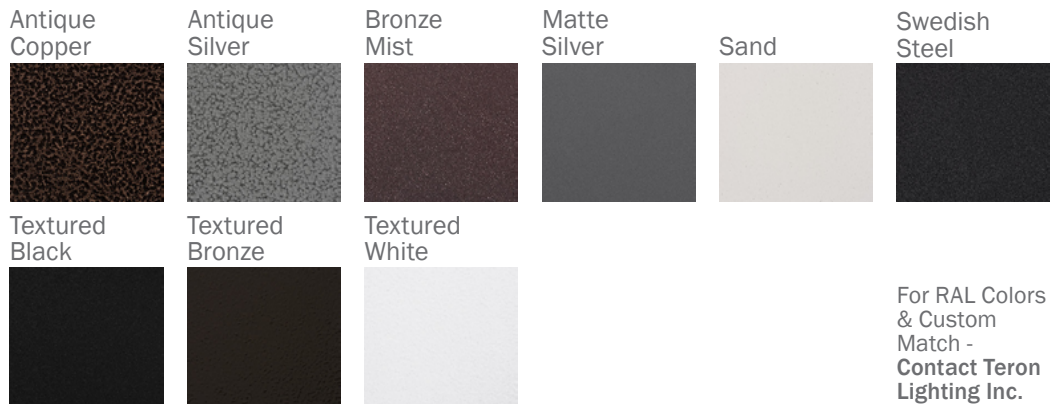


LINE DRAWING

LINE DRAWING NOT TO SCALE



FINISHES



TRITON LED

Architectural Outdoor



Fixture Core

PROJECT:	
TYPE:	
PO#:	QTY:
COMMENTS:	

PRODUCT CODE	SOURCE/WATTAGE	VOLTAGE	DIMMING DRIVER
TTN - Triton LED	L25.0-ZE700 - 25.0W LED Board @ 700mA Line Voltage 4-Wire Dimming Driver (Dimmable 0 - 10V) L35.0-ZE1050 - 35.0W LED Board @ 1050mA Line Voltage 4-Wire Dimming Driver (Dimmable 0 - 10V)	120-277V (50 / 60Hz)	Not Applicable
ORDER INFO			
TTN	L25.0-ZE700	120-277V	Not Applicable

Example ^ (may not represent a manufacturable product)

Aesthetics & Options

TRIM	FINISH	COLOR TEMP	OPTIONS
Not Applicable	AC - Antique Copper AS - Antique Silver BT - Bronze Mist SM - Matte Silver (Standard) SN - Sand SW - Swedish Steel TB - Textured Black BZ - Textured Bronze TW - Textured White	30K - 3000K Color Temp 35K - 3500K Color Temp 40K - 4000K Color Temp 50K - 5000K Color Temp	EB - Integral Emergency Battery EBCA12 - Title 20 Compliant 12 Watt Integral Battery F - Fused TP - Tamper Resistant Screws
ORDER INFO			
Not Applicable	AC	30K	EB

Example ^ (may not represent a manufacturable product)

PROD	SOURCE	30K SPECS	40K SPECS
TTN	L25.0	<ul style="list-style-type: none"> 30K - 3000K Color Temp 3072 LED Source Lumens 121 LED Source Lumens per Watt 	
	L35.0	<ul style="list-style-type: none"> 30K - 3000K Color Temp 3898 LED Delivered Lumens 111.3 LED Delivered Lumens per Watt 	<ul style="list-style-type: none"> 40K - 4000K Color Temp 4820 Source Lumens 135 LED Source Lumens per Watt

REPLACEMENT PART	PART NO	NOTES
Clear Glass Diffuser	37065	

Don't see the configuration you are looking for?
Call us today at (513) 858-6004



TERONLIGHTING.COM
 33 DONALD DR, FAIRFIELD, OH 45014
 P: 513.858.6004 F: 513.858.6038
 E: SALES@TERONLIGHT.COM



We reserve the right to revise the design components of any product due to parts availability or change in UL standards, without assuming any obligation or liability to modify any products previously manufactured, and without notice.