



**INSTALLATION & MAINTENANCE INSTRUCTIONS  
FOR THE  
Capri 2FT - LED  
Wall Mounted Luminaire** 76226

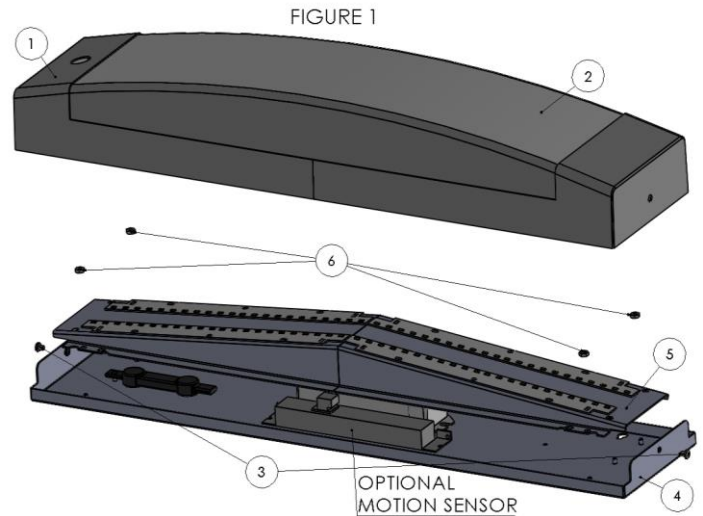
**WARNING:** DISCONNECT POWER PRIOR TO INSTALLATION OR SERVICING OF FIXTURE

**NOTE:** THIS PRODUCT MUST BE INSTALLED IN ACCORDANCE WITH THE APPLICABLE LOCAL & NATIONAL ELECTRICAL CODES BY A PERSON FAMILIAR WITH THE CONSTRUCTION AND FAMILIAR WITH THE OPERATION OF THE PRODUCT AND HAZARDS INVOLVED.



**INSTALLATION**

1. Remove any excess packing from the fixture.
2. Remove frame (1) in Figure 1 and lens (2) in Figure 1 by taking off the 2 screws (3) in Figure 1 on the ends of the fixture.
3. Take off LED mounting plate (5) in Figure 1 by removing the 4 screws (6) in Figure 1.
4. Capri housings (4) in Figure 1 are designed to be mounted directly to the wall with 4 anchors (By Others). There are 4 mounting holes in housing.
5. Verify housing mounting holes match pattern before drilling into wall shown, refer to the mounting hole figure on second page. Also make sure that the fixture will cover the junction box appropriately when mounted.
6. Pull the supply leads into the housing, and mount the housing to the wall anchors.
7. Connect the fixture leads to the supply leads. Teron stipulates the Black as Line, White as Common, and Bare/Green as ground.
8. Reassemble fixture by reattaching LED mounting plate and lens assembly, securing them with removed hardware.



**MAINTENANCE**

The lens should be cleaned once every 6 months. Repeat the above procedures in reverse to remove the lens. It must be washed in a mild soap solution.

DO NOT use cleansers containing bleach. Re-assemble the fixture.

The metal portion of the fixture can be wiped clean as needed using a mild soap solution.

**ATTENTION:** Avoid moving any exposed wires. If any wires are accidentally disconnected, call a professional to repair.

