



**INSTALLATION & MAINTENANCE INSTRUCTIONS
FOR THE
TREVINO M - LED**
Outdoor Surface Mounted Luminaire 76114 REV.2

WARNING: DISCONNECT POWER PRIOR TO INSTALLATION OR SERVICING OF FIXTURE

NOTE: THIS PRODUCT MUST BE INSTALLED IN ACCORDANCE WITH THE APPLICABLE LOCAL & NATIONAL ELECTRICAL CODES BY A PERSON FAMILIAR WITH THE CONSTRUCTION AND FAMILIAR WITH THE OPERATION OF THE PRODUCT AND HAZARDS INVOLVED.

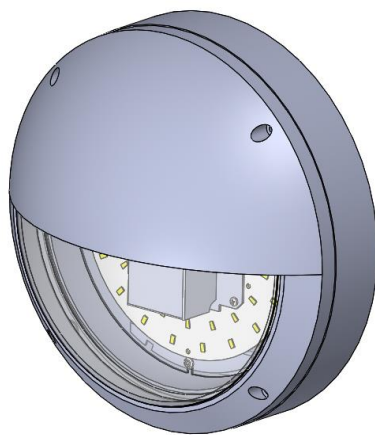


FIG. 1

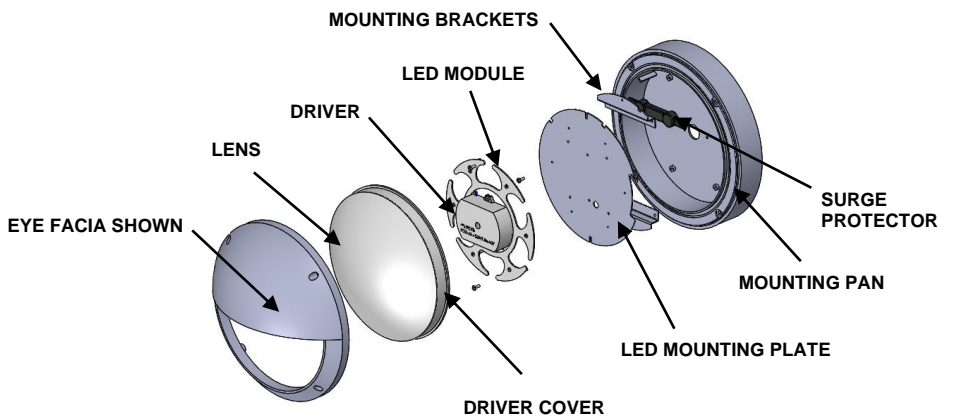


FIG. 2

INSTALLATION

1. Remove any excess packing from the fixture.
2. Remove the fascia and lens from the housing and set aside.
3. The Trevino Mini - LED is designed to be mounted directly a junction box, or It can be mounted to the wall using (2) 1/4" anchor bolts (**holes drilled by customer**).
4. Detail "Fig.3" shows the location of the main conduit or j-box entry. Pull the supply leads into the housing and mount the fixture securely to the wall.
5. Connect the fixture leads to the supply leads. TLI stipulates The Black as Line; White as Common; Bare/Green as Ground.
6. Re-attach the fascia and lens to the housing and secure the screws.
7. Outdoor wall fixtures must be caulked with a suitable waterproof sealant across the top, and at least halfway down the sides of the fixture to properly seal it to the mounting surface. A small space should be open at the bottom for excess moisture runoff.

MAINTENANCE

DO NOT use cleansers containing bleach.
The metal portion of the fixture can be wiped clean as needed using a mild soap solution.
ATTENTION: Avoid moving any exposed wires. If any wires are accidentally disconnected, call a professional to repair.

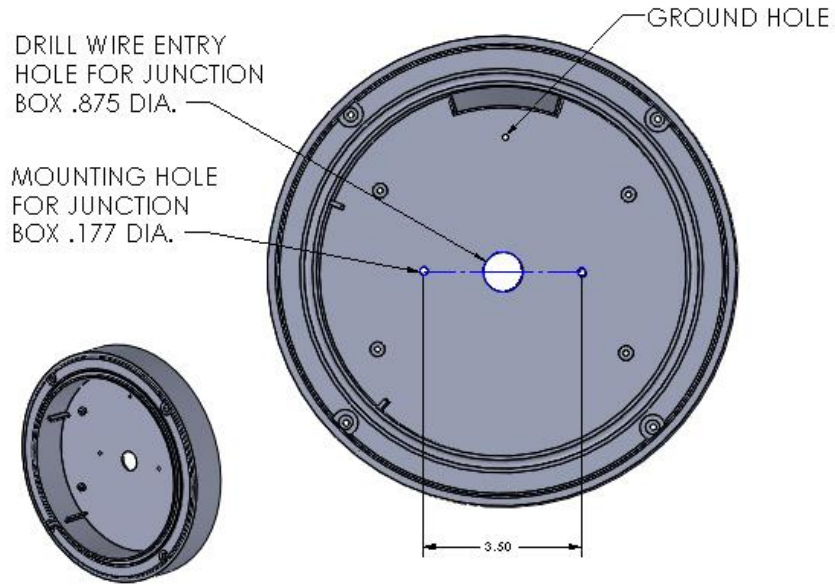
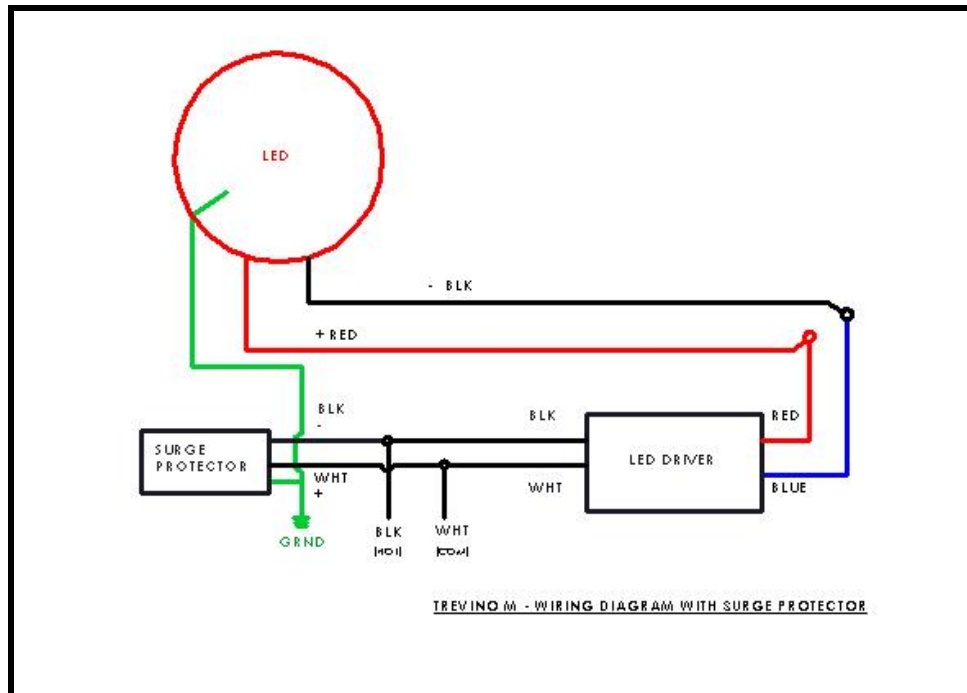


FIG. 3

NOTE: Fixture is to be mounted to the junction box using 8-32 x .75 screws



These instructions are general to the fixture noted. Due to the numerous options, all variations may not be covered.