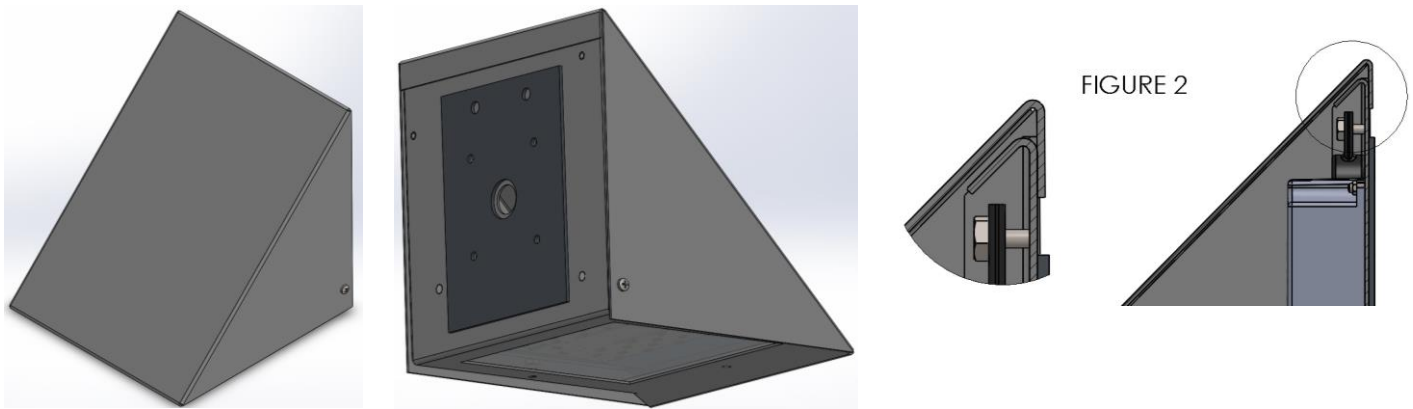




**INSTALLATION & MAINTENANCE INSTRUCTIONS
FOR THE
TRITON M - LED
Wall Mounted Luminaire 76103**

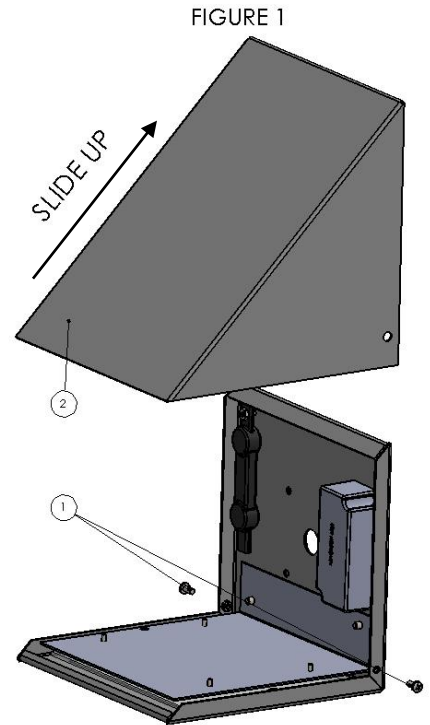
WARNING: DISCONNECT POWER PRIOR TO INSTALLATION OR SERVICING OF FIXTURE

NOTE: THIS PRODUCT MUST BE INSTALLED IN ACCORDANCE WITH THE APPLICABLE LOCAL & NATIONAL ELECTRICAL CODES BY A PERSON FAMILIAR WITH THE CONSTRUCTION AND FAMILIAR WITH THE OPERATION OF THE PRODUCT AND HAZARDS INVOLVED.



INSTALLATION

1. Remove any excess packing from the fixture.
2. This fixture is designed to be mounted over a junction box (supplied by customer) on a wall with anchors (supplied by other). Open the housing assembly by removing the (2) 8-32 X 3/8 screws (1) in Figure 1.
3. Now remove front part of the housing (2) in Figure 1 by sliding the housing up in the direction shown in figure 1 to disengage from lens frame.
4. Line up the back of the housing in desired location, completely covering junction box and mount securely to the junction box with (2) suitable screws (By others) OR directly to the wall with wall anchors.
5. Complete the wiring to the power source and ground. The Black as Line; White as Common; Bare/Green as Ground. Wire connections to be made inside of housing.
6. Reassemble the fixture by reattaching the front part of the housing (2) in Figure 1) making sure housing bracket engages lens frame like in Figure 2.
7. Outdoor wall fixtures must be caulked with a suitable waterproof sealant across the top, and at least "half way" down each side of the fixture to properly seal it to the mounting surface. A small space should be open at the bottom for excess moisture runoff.



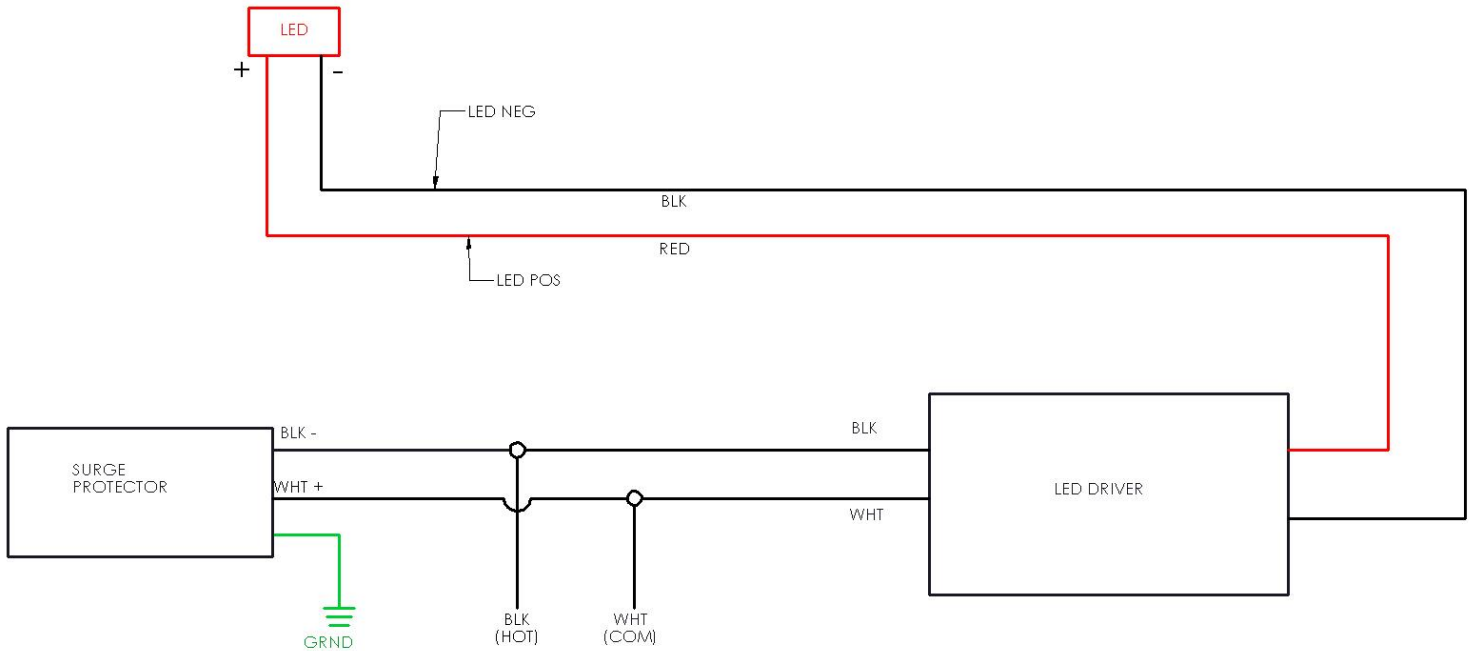
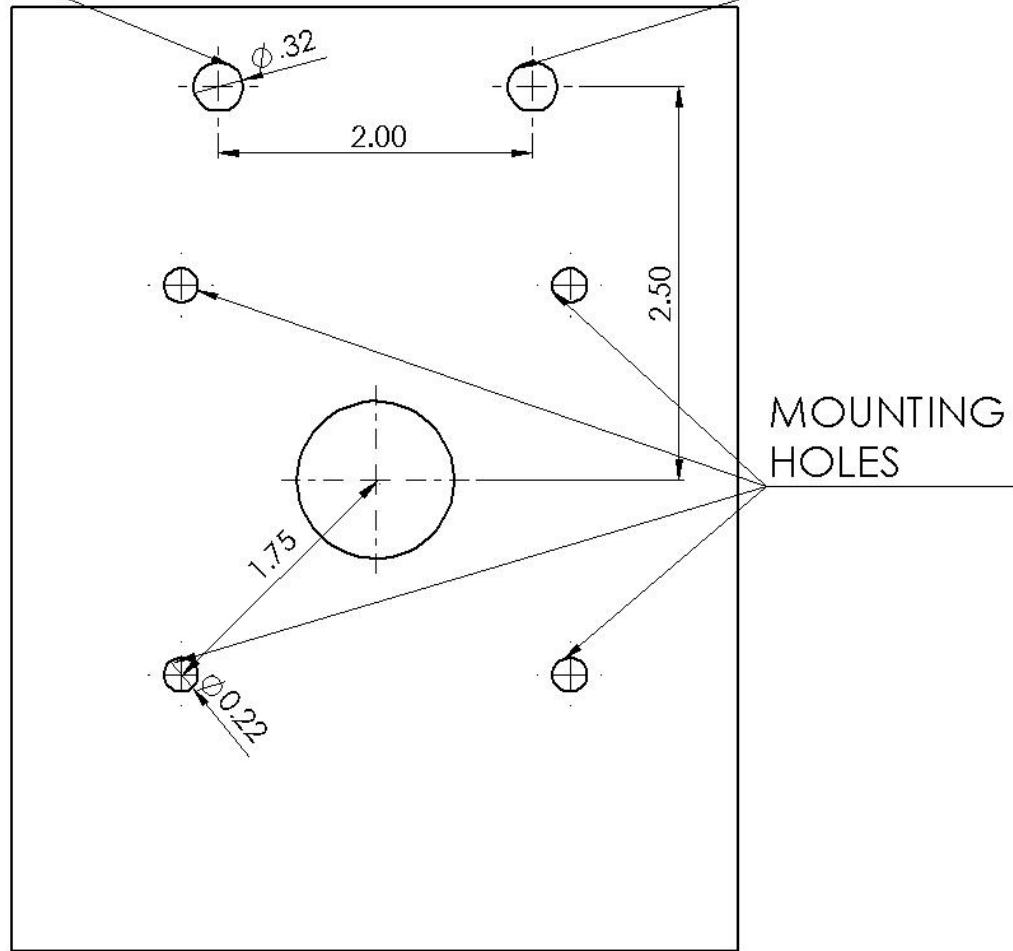
MAINTENANCE

DO NOT use cleansers containing bleach.

The metal portion of the fixture can be wiped clean as needed using a mild soap solution.

ATTENTION: Avoid moving any exposed wires. If any wires are accidentally disconnected, call a professional to repair.

ALTERNATE MOUNTING HOLES



WIRING DIAGRAM WITH SURGE PROTECTOR