

APPLEBY LED 51"

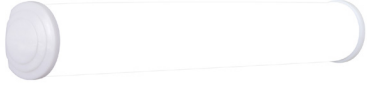
Architectural Indoor



PROJECT:	
TYPE:	
PO#:	QTY:
COMMENTS:	

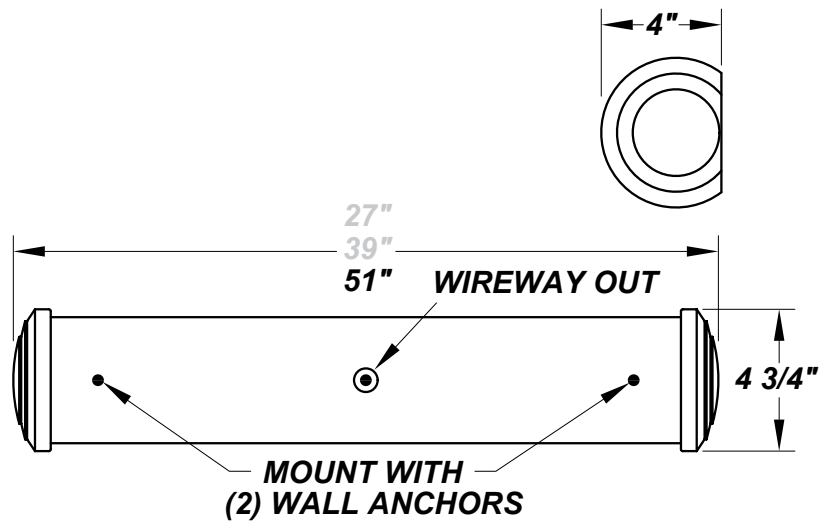
FEATURES

- Aluminum Housing w/ White Powder Coat Finish
- Aluminum Reflector w/ Hi-Reflectance White Powder Coat Finish
- Luminous White Acrylic Diffuser
- White Marble Acrylic End Caps
- ELV Driver - Over-Voltage, Over-Current, and Short-Circuit Protection w/ Auto Recovery
- Constant Current, Dimmable to 10% From 120V to 230V
- Mounts Directly to Surface w/ Two Wall Anchors (Not Included)
- ADA Compliant
- CSA Listed Damp Location For Surface Mount
- Emergency Battery Available
- LED Light Fixture



LINE DRAWING

LINE DRAWING NOT TO SCALE



FINISHES

For RAL Colors
& Custom
Match -
Contact Teron
Lighting Inc.

APPLEBY LED 51"

Architectural Indoor



Fixture Core

PROJECT:	
TYPE:	
PO#:	QTY:
COMMENTS:	

PRODUCT CODE	SOURCE/WATTAGE	VOLTAGE	DIMMING DRIVER
AY48 - Appleby 51"	L24.0-TE350 - 24.0W @ 350mA ELV Dimming Driver L36.0-TE500 - 36W @ 500mA ELV Dimming Driver L36-ZE500 - 36W @ 1000mA 0-10V Dimming Driver L41.2-ZE1200 - 41.2W @ 1200mA 0-10V Dimming Driver	120V 277V (120-230V Dimmable)	Not Applicable
ORDER INFO			
AY48 Example ^	L24.0-TE350	120V	Not Applicable

Aesthetics & Options

TRIM	FINISH	COLOR TEMP	OPTIONS
Not Applicable	Not Applicable	30K - 3000K Color Temp 35K - 3500K Color Temp 40K - 4000K Color Temp	EB - 5.1W Integral EM Battery F - Fused
ORDER INFO			
Not Applicable Example ^	Not Applicable	30K	EB

PROD	SOURCE	30K SPECS				
AY 51"	L24.0	<ul style="list-style-type: none"> 30K - 3000K Color Temp 2800 LED Source Lumens 100 LED Source Lumens Per Watt 				
	L36.0	<ul style="list-style-type: none"> 30K - 3000K Color Temp 3972 LED Source Lumens 99 LED Source Lumens Per Watt 				
	L41.2	<ul style="list-style-type: none"> 30K - 3000K Color Temp 5578 LED Source Lumens 129.7 LED Source Lumens Per Watt 				

REPLACEMENT PART	PART NO	NOTES
48" White Acrylic w/ White Marble LED Lens Assembly	3821254	Don't see the configuration you are looking for? Call us today at (513) 858-6004



TERONLIGHTING.COM
 33 DONALD DR, FAIRFIELD, OH 45014
 P: 513.858.6004 F: 513.858.6038
 E: SALES@TERONLIGHT.COM



We reserve the right to revise the design components of any product due to parts availability or change in UL standards, without assuming any obligation or liability to modify any products previously manufactured, and without notice.