

APPLEBY LED 39"

Architectural Indoor



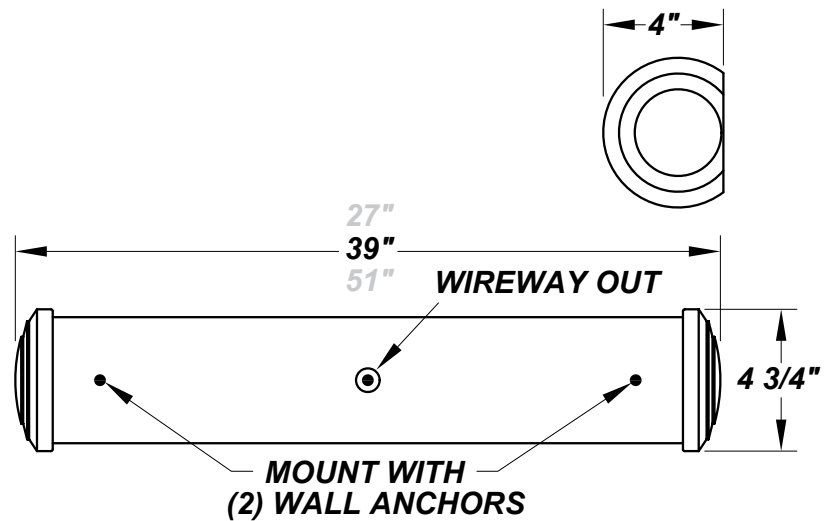
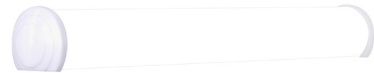
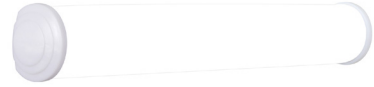
PROJECT:	
TYPE:	
PO#:	QTY:
COMMENTS:	

FEATURES

- Aluminum Housing w/ White Powder Coat Finish
- Aluminum Reflector w/ Hi-Reflectance White Powder Coat Finish
- Luminous White Acrylic Diffuser
- White Marble Acrylic End Caps
- ELV Driver - Over-Voltage, Over-Current, and Short-Circuit Protection w/ Auto Recovery
- Constant Current, Dimmable to 10% From 120V to 230V
- Mounts Directly to Surface w/ Two Wall Anchors (Not Included)
- ADA Compliant
- CSA Listed Damp Location For Surface Mount
- Emergency Battery Available
- LED Light Fixture

LINE DRAWING

LINE DRAWING NOT TO SCALE



FINISHES

For RAL Colors
& Custom
Match -
Contact Teron
Lighting Inc.

APPLEBY LED 39"

Architectural Indoor



Fixture Core

PROJECT:	
TYPE:	
PO#:	QTY:
COMMENTS:	

PRODUCT CODE	SOURCE/WATTAGE	VOLTAGE	DIMMING DRIVER
AY36 - Appleby 39"	L23.2-TE700 - 23.2W @ 700mA ELV Dimming Driver L23.2-ZE700 - 23.2W @ 700mA 0-10V Dimming Driver L30.0-TE875 - 30W @ 875mA ELV Dimming Driver L30.0-ZE875 - 30W @ 875mA 0-10V Dimming Driver	120V 277V (120-230V Dimmable)	Not Applicable
ORDER INFO			
AY36 Example ^	L36.5	120V	Not Applicable

Aesthetics & Options

TRIM	FINISH	COLOR TEMP	OPTIONS
Not Applicable	Not Applicable	30K - 3000K Color Temp 35K - 3500K Color Temp 40K - 4000K Color Temp	EB - 5.1W Integral EM Battery F - Fused
ORDER INFO			
Not Applicable Example ^	Not Applicable	30K	EB

PROD	SOURCE	30K SPECS			
AY 39"	L23.2	<ul style="list-style-type: none"> 30K - 3000K Color Temp 3258 LED Source Lumens 114.7 LED Source Lumens Per Watt 			
	L30.0	<ul style="list-style-type: none"> 30K - 3000K Color Temp 4072 LED Source Lumens 110.1 LED Source Lumens Per Watt 			

REPLACEMENT PART	PART NO	NOTES
36" White Acrylic w/ White Marble LED Lens Assembly	3822354	Don't see the configuration you are looking for? Call us today at (513) 858-6004



TERONLIGHTING.COM
 33 DONALD DR, FAIRFIELD, OH 45014
 P: 513.858.6004 F: 513.858.6038
 E: SALES@TERONLIGHT.COM



We reserve the right to revise the design components of any product due to parts availability or change in UL standards, without assuming any obligation or liability to modify any products previously manufactured, and without notice.