

APPLEBY LED 27"

Architectural Indoor



PROJECT:	
TYPE:	
PO#:	QTY:
COMMENTS:	

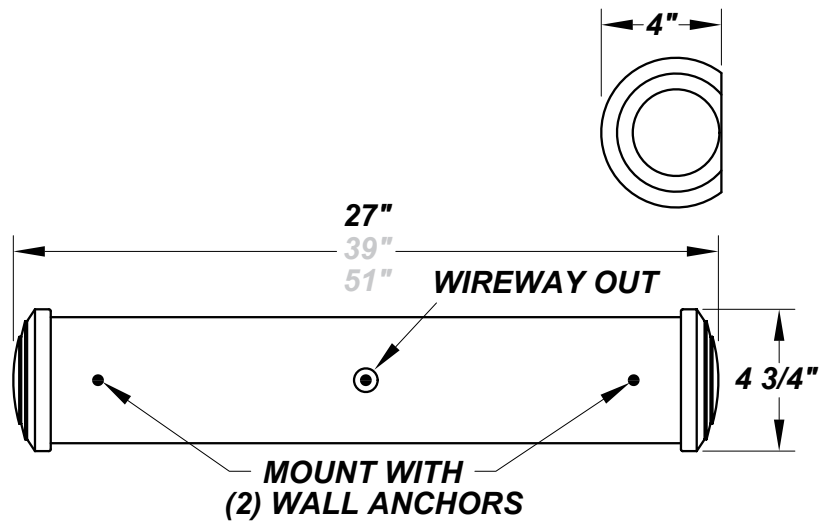
FEATURES

- Aluminum Housing w/ White Powder Coat Finish
- Aluminum Reflector w/ Hi-Reflectance White Powder Coat Finish
- Luminous White Acrylic Diffuser
- White Marble Acrylic End Caps
- ELV Driver - Over-Voltage, Over-Current, and Short-Circuit Protection w/ Auto Recovery
- Constant Current, Dimmable to 10% From 120V to 230V
- Mounts Directly to Surface w/ Two Wall Anchors (Not Included)
- ADA Compliant
- CSA Listed Damp Location For Surface Mount
- LED Light Fixture



LINE DRAWING

LINE DRAWING NOT TO SCALE



FINISHES

For RAL Colors
& Custom
Match -
Contact Teron
Lighting Inc.

APPLEBY LED 27"

Architectural Indoor



Fixture Core

PROJECT:	
TYPE:	
PO#:	QTY:
COMMENTS:	

PRODUCT CODE	SOURCE/WATTAGE	VOLTAGE	DIMMING DRIVER
AY24 - Appleby 27"	L12.0-TE350 - 12W @ 350mA ELV Dimming Driver L18.0-TE500 - 18W @ 500mA ELV Dimming Driver L18.0-ZE500 - 18W @ 500mA 0-10V Dimming Driver L20.6-ZE600 - 20.6W @ 600mA 0-10V Dimming Driver	120V 277V (120-230V Dimmable)	Not Applicable
ORDER INFO			
AY24 Example ^	L12.0-TE350	120V	Not Applicable

Aesthetics & Options

TRIM	FINISH	COLOR TEMP	OPTIONS
Not Applicable	Not Applicable	30K - 3000K Color Temp 35K - 3500K Color Temp 40K - 4000K Color Temp	F - Fused
ORDER INFO			
Not Applicable Example ^	Not Applicable	30K	F

PROD	SOURCE	30K SPECS				
AY 27"	L12.0	<ul style="list-style-type: none"> 30K - 3000K Color Temp 1400 LED Source Lumens 100 LED Source Lumens Per Watt 				
	L18.0	<ul style="list-style-type: none"> 30K - 3000K Color Temp 1986 LED Source Lumens 99 LED Source Lumens Per Watt 				
	L20.6	<ul style="list-style-type: none"> 30K - 3000K Color Temp 2050 LED Source Lumens 82 LED Source Lumens Per Watt 				

REPLACEMENT PART	PART NO	NOTES
24" White Acrylic w/ White Marble LED Lens Assembly	3821154	Don't see the configuration you are looking for? Call us today at (513) 858-6004



TERONLIGHTING.COM
 33 DONALD DR, FAIRFIELD, OH 45014
 P: 513.858.6004 F: 513.858.6038
 E: SALES@TERONLIGHT.COM



We reserve the right to revise the design components of any product due to parts availability or change in UL standards, without assuming any obligation or liability to modify any products previously manufactured, and without notice.