

DUNBAR 52"

Architectural Indoor



PROJECT:	
TYPE:	
PO#:	QTY:
COMMENTS:	

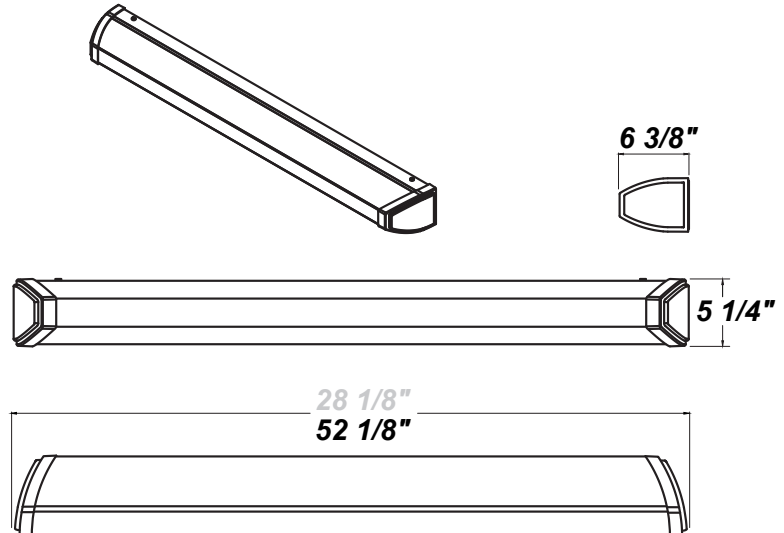
FEATURES

- Steel Housing w/ White Powder Coat Finish
- Steel Mounting Pan w/ Hi-Reflectance White Powder Coat Finish
- White Acrylic / DR Extruded Diffuser w/ Brushed Nickel Finished End Caps And Brushed Nickel / White Decorative Center Trim
- Up / Down Lighting
- Mounts Directly to Surface w/ Two Wall Anchors (Not Included)
- CSA Listed Dry Location
- Emergency Battery Available



LINE DRAWING

LINE DRAWING NOT TO SCALE



FINISHES



For RAL Colors & Custom Match - Contact Teron Lighting Inc.

DUNBAR 52"

Architectural Indoor



Fixture Core

PROJECT:	
TYPE:	
PO#:	QTY:
COMMENTS:	

PRODUCT CODE	SOURCE/WATTAGE	VOLTAGE	DIMMING BALLAST
DNB48 - Dunbar 52"	232E - (2) 32W T8 228E - (2) 28W T5 254E-HO - (2) 54W T5 HO (High-Output) 332E - (3) 32W T8	120V 277V	Not Applicable
ORDER INFO			
DNB48	232E	120V	Not Applicable

Example ^ (may not represent a manufacturable product)

Aesthetics & Options

TRIM	FINISH	COLOR TEMP	OPTIONS
Not Applicable	BNW - Brushed Nickel End Caps w/ Nickel And White Center Trim (Standard) WSW - White End Caps w/ Solid White Center Trim	Not Applicable	2SW - 2-Lamp Switch (120V Only) CO - Convenience Outlet (120V Only) DIM - Dimming Ballast (232E, 228E, & 332E Only) EBR - Remote Mount Battery (Field Installed) EBW - Integral Emergency Battery F - Fused MSW - Multi-Level Switching (120V Only) NLT - 5.1 W LED Night Light
ORDER INFO			
Not Applicable	BNW	Not Applicable	2SW

Example ^ (may not represent a manufacturable product)

REPLACEMENT PART	PART NO	NOTES
4' White Acrylic Diffuser w/ White / Brushed Nickel Trim	3045419	
4' White Acrylic Diffuser w/ Solid White Trim	3045460	

Don't see the configuration you are looking for?
Call us today at (513) 858-6004



TERONLIGHTING.COM
 33 DONALD DR, FAIRFIELD, OH 45014
 P: 513.858.6004 F: 513.858.6038
 E: SALES@TERONLIGHT.COM



We reserve the right to revise the design components of any product due to parts availability or change in UL standards, without assuming any obligation or liability to modify any products previously manufactured, and without notice.