

# SOLID PENDANT 20"

Architectural Indoor



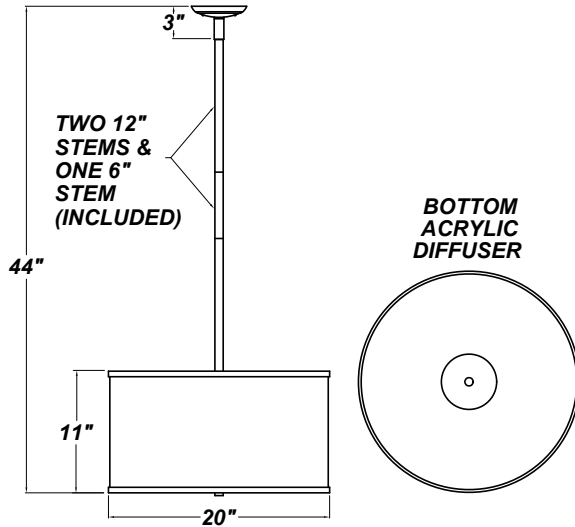
PROJECT:	
TYPE:	
PO#:	QTY:
COMMENTS:	

## FEATURES

- 5" Cast Zinc Canopy
- Steel Trim w/ Satin Nickel Finish
- Acrylic Diffuser
- 3 Medium Base Socket For Use With Incandescent, CFL, or LED Screw-In Lamp (Lamp Not Included)
- GU Base Socket Adaptor Available
- 44" Maximum Length
- Dry Location
- Mounting Hardware Included

## LINE DRAWING

LINE DRAWING NOT TO SCALE



## FABRIC

Black Butcher Linen	Buff Odyssey	Camelot Off White Hardback	Chocolate Silk Shantung	Gold Organza	Natural Bombay
Off White Butcher Linen	Oyster Silksheen	Red Butcher Linen	Silver Organza	White Butcher Linen	

# SOLID PENDANT 20"

Architectural Indoor



Fixture Core

PROJECT:	
TYPE:	
PO#:	QTY:
COMMENTS:	

PRODUCT CODE	STYLE	FINISH
PD-6790 - Pendant & Hardware	102 - 20" Solid Pendant	OB - Oil Brushed Bronze, SN - Satin Nickel (Standard)
ORDER INFO		
PD-6790	102	OB

Example ^ (may not represent a manufacturable product)

Aesthetics & Options

INNER/TOP SHADE	OUTER/BOTTOM SHADE	OPTIONS
<b>115-62</b> - Black Butcher Linen <b>146-13</b> - Buff Odyssey <b>180-05</b> - Camelot White Hardback <b>174-25</b> - Chocolate Silk Shantung <b>151-56</b> - Gold Organza <b>160-04</b> - Natural Bombay (Standard) <b>115-05</b> - Off White Butcher Linen <b>136-33</b> - Oyster Silksheen <b>115-96</b> - Red Butcher Linen <b>151-97</b> - Silver Organza <b>115-01</b> - White Butcher Linen	<b>Not Applicable</b>	<b>GUA</b> - GU-Base Socket Adaptor (120V Only)
ORDER INFO		
115-62	Not Applicable	GUA

Example ^ (may not represent a manufacturable product)

REPLACEMENT PART	PART NO	NOTES
		Use Lamping up to: 100W Incandescent / 27W CFL / 19W LED  Don't see the configuration you are looking for? Call us today at (513) 858-6004



**TERONLIGHTING.COM**  
 33 DONALD DR, FAIRFIELD, OH 45014  
 P: 513.858.6004 F: 513.858.6038  
 E: SALES@TERONLIGHT.COM



We reserve the right to revise the design components of any product due to parts availability or change in UL standards, without assuming any obligation or liability to modify any products previously manufactured, and without notice.