

# SOLID ADA SCONCE

Architectural Indoor



PROJECT:	
TYPE:	
PO#:	QTY:
COMMENTS:	

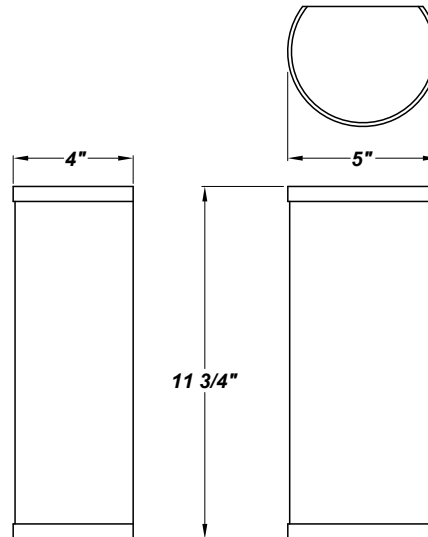
## FEATURES

- Steel Trim w/ Satin Nickel Finish
- Acrylic Diffuser
- 2 Candelabra Base Socket For Use With Incandescent, CFL, or LED Screw-In Lamp (Lamp Not Included)
- Dry Location
- ADA Compliant
- Mounting Hardware Included



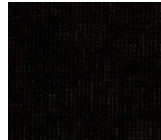
## LINE DRAWING

LINE DRAWING NOT TO SCALE



## FABRIC

Black Butcher Linen



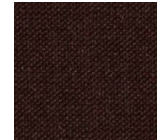
Buff Odyssey



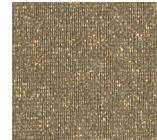
Camelot Off White Hardback



Chocolate Silk Shantung



Gold Organza



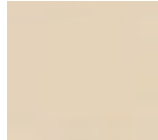
Natural Bombay



Off White Butcher Linen



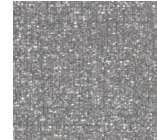
Oyster Silksheen



Red Butcher Linen



Silver Organza



White Butcher Linen



# SOLID ADA SCONCE

Architectural Indoor



Fixture Core

PROJECT:	
TYPE:	
PO#:	QTY:
COMMENTS:	

PRODUCT CODE	STYLE	FINISH
<b>WF-A120</b> - Sconce & Hardware	<b>196</b> - 11.75" ADA Solid Sconce	<b>OB</b> - Oil Brushed Bronze <b>SN</b> - Satin Nickel (Standard)
ORDER INFO		
WF-A120	196	OB

Example ^ (may not represent a manufacturable product)

Aesthetics & Options

INNER/TOP SHADE	OUTER/BOTTOM SHADE	OPTIONS
<b>115-62</b> - Black Butcher Linen <b>146-13</b> - Buff Odyssey <b>180-05</b> - Camelot White Hardback <b>174-25</b> - Chocolate Silk Shantung <b>151-56</b> - Gold Organza <b>160-04</b> - Natural Bombay (Standard) <b>115-05</b> - Off White Butcher Linen <b>136-33</b> - Oyster Silksheen <b>115-96</b> - Red Butcher Linen <b>151-97</b> - Silver Organza <b>115-01</b> - White Butcher Linen	<b>Not Applicable</b>	<b>Not Applicable</b>
ORDER INFO		
115-62	Not Applicable	Not Applicable

Example ^ (may not represent a manufacturable product)

REPLACEMENT PART	PART NO	NOTES
		Use Lamping up to: 60W Candelabra Incandescent
		Don't see the configuration you are looking for? Call us today at (513) 858-6004



TERONLIGHTING.COM  
 33 DONALD DR, FAIRFIELD, OH 45014  
 P: 513.858.6004 F: 513.858.6038  
 E: SALES@TERONLIGHT.COM



We reserve the right to revise the design components of any product due to parts availability or change in UL standards, without assuming any obligation or liability to modify any products previously manufactured, and without notice.