

SATURN PENDANT 25"

Architectural Indoor



PROJECT:	
TYPE:	
PO#:	QTY:
COMMENTS:	

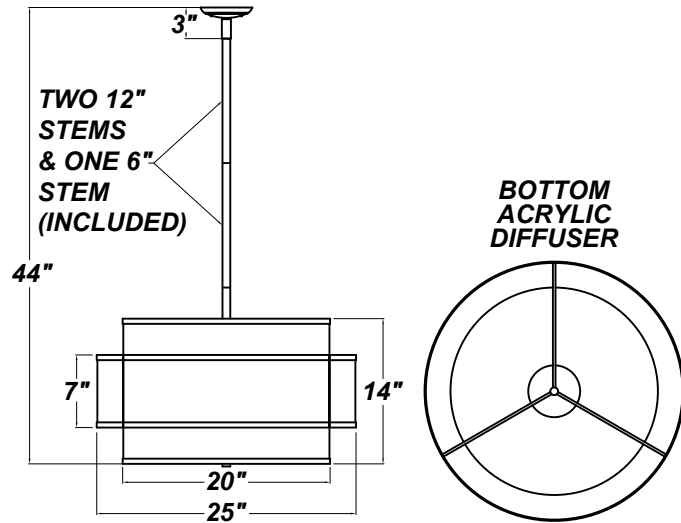
FEATURES

- 5" Cast Zinc Canopy
- Steel Trim w/ Oil Brushed Bronze
- Acrylic Diffuser
- 3 Medium Base Socket For Use With Incandescent, CFL, or LED Screw-In Lamp (Lamp Not Included)
- GU Base Socket Adaptor Available
- 44" Maximum Length
- Dry Location
- Mounting Hardware Included



LINE DRAWING

LINE DRAWING NOT TO SCALE



FABRIC

Black Butcher Linen



Buff Odyssey



Camelot Off White Hardback



Chocolate Silk Shantung



Gold Organza



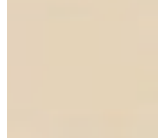
Natural Bombay



Off White Butcher Linen



Oyster Silksheen



Red Butcher Linen



Silver Organza



White Butcher Linen



SATURN PENDANT 25"

Architectural Indoor



Fixture Core

PROJECT:	
TYPE:	
PO#:	QTY:
COMMENTS:	

PRODUCT CODE	STYLE	FINISH
PD-6792 - Pendant & Hardware	222 - 25" Saturn Pendant	OB - Oil Brushed Bronze SN - Satin Nickel (Standard)
ORDER INFO		
PD-6792	22	OB

Example ^ (may not represent a manufacturable product)

Aesthetics & Options

INNER/TOP SHADE	OUTER/BOTTOM SHADE	OPTIONS
115-62 - Black Butcher Linen 146-13 - Buff Odyssey 180-05 - Camelot White Hardback 174-25 - Chocolate Silk Shantung 151-56 - Gold Organza 160-04 - Natural Bombay 115-05 - Off White Butcher Linen 136-33 - Oyster Silksheen 115-96 - Red Butcher Linen 151-97 - Silver Organza 115-01 - White Butcher Linen (Standard)	BBL - Black Butcher Linen (Standard) BO - Buff Odyssey CH - Camelot Hardback CS - Chocolate Silk GO - Gold Organza NB - Natural Bombay OBL - Off White Butcher Linen OS - Oyster Silksheen RBL - Red Butcher Linen SO - Silver Organza WBL - White Butcher Linen	GUA - GU-Base Socket Adaptor (120V Only)
ORDER INFO		
115-62	BBL	GUA

Example ^ (may not represent a manufacturable product)

REPLACEMENT PART	PART NO	NOTES
		Use Lamping up to: 100W Incandescent / 27W CFL / 19W LED Don't see the configuration you are looking for? Call us today at (513) 858-6004



TERONLIGHTING.COM
 33 DONALD DR, FAIRFIELD, OH 45014
 P: 513.858.6004 F: 513.858.6038
 E: SALES@TERONLIGHT.COM



We reserve the right to revise the design components of any product due to parts availability or change in UL standards, without assuming any obligation or liability to modify any products previously manufactured, and without notice.