

# MULTI-COLOR PENDANT 20"

Architectural Indoor



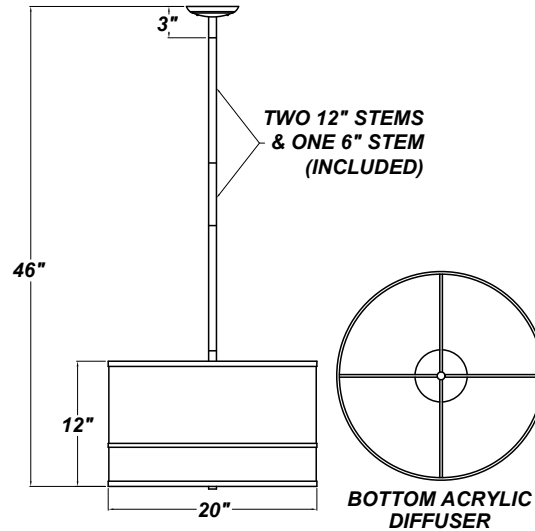
PROJECT:	
TYPE:	
PO#:	QTY:
COMMENTS:	

## FEATURES

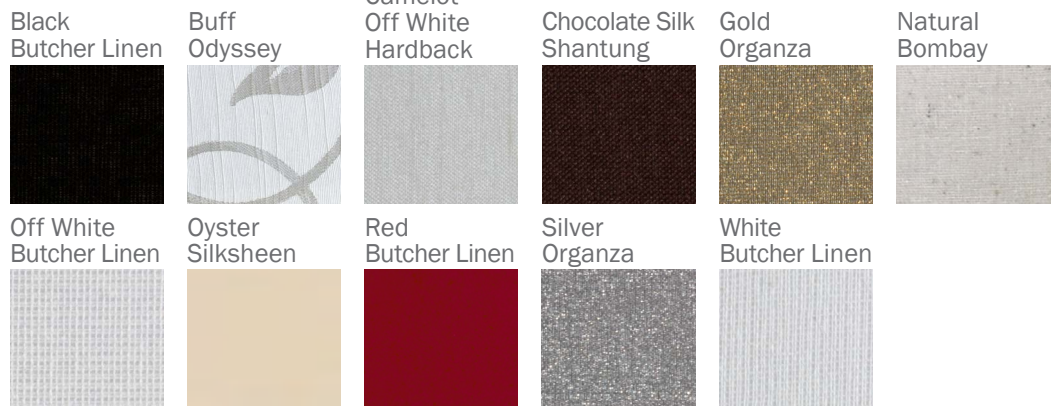
- 5" Cast Zinc Canopy
- Steel Trim w/ Satin Nickel Finish, Acrylic Diffuser
- 3 Medium Base Socket For Use With Incandescent, CFL, or LED Screw-In Lamp (Lamp Not Included)
- GU Base Socket Adaptor Available
- 46" Maximum Length
- Dry Location
- Mounting Hardware Included

## LINE DRAWING

LINE DRAWING NOT TO SCALE



## FABRIC



# MULTI-COLOR PENDANT 20"

Architectural Indoor



Fixture Core

PROJECT:	
TYPE:	
PO#:	QTY:
COMMENTS:	

PRODUCT CODE	STYLE	FINISH
PD-6790 - Pendant & Hardware	242 - 20" Multi-Color Pendant	OB - Oil Brushed Bronze SN - Satin Nickel (Standard)
ORDER INFO		
PD-6790	242	OB

Example ^ (may not represent a manufacturable product)

Aesthetics & Options

INNER/TOP SHADE	OUTER/BOTTOM SHADE	OPTIONS
<b>115-62</b> - Black Butcher Linen <b>146-13</b> - Buff Odyssey <b>180-05</b> - Camelot White Hardback <b>174-25</b> - Chocolate Silk Shantung <b>151-56</b> - Gold Organza <b>160-04</b> - Natural Bombay <b>115-05</b> - Off White Butcher Linen <b>136-33</b> - Oyster Silksheen <b>115-96</b> - Red Butcher Linen <b>151-97</b> - Silver Organza <b>115-01</b> - White Butcher Linen (Standard)	<b>BBL</b> - Black Butcher Linen (Standard) <b>BO</b> - Buff Odyssey <b>CH</b> - Camelot Hardback <b>CS</b> - Chocolate Silk <b>GO</b> - Gold Organza <b>NB</b> - Natural Bombay <b>OBL</b> - Off White Butcher Linen <b>OS</b> - Oyster Silksheen <b>RBL</b> - Red Butcher Linen <b>SO</b> - Silver Organza <b>WBL</b> - White Butcher Linen	<b>GUA</b> - GU-Base Socket Adaptor (120V Only)
ORDER INFO		
115-62	BBL	GUA

Example ^ (may not represent a manufacturable product)

REPLACEMENT PART	PART NO	NOTES
		Use Lamping up to: 100W Incandescent / 27W CFL / 19W LED          Don't see the configuration you are looking for? Call us today at (513) 858-6004



TERONLIGHTING.COM  
 33 DONALD DR, FAIRFIELD, OH 45014  
 P: 513.858.6004 F: 513.858.6038  
 E: SALES@TERONLIGHT.COM



We reserve the right to revise the design components of any product due to parts availability or change in UL standards, without assuming any obligation or liability to modify any products previously manufactured, and without notice.