

MULTI-COLOR MINI-PENDANT 7"

Architectural Indoor



PROJECT:	
TYPE:	
PO#:	QTY:
COMMENTS:	



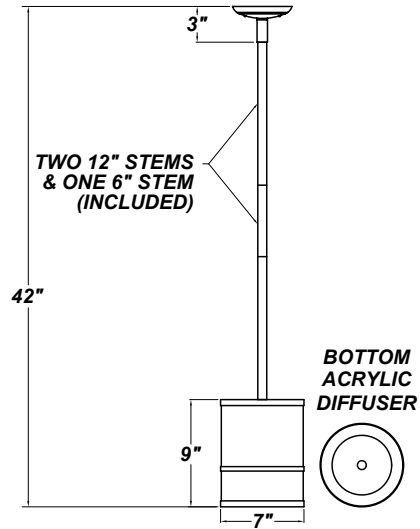
FEATURES

- 5" Cast Zinc Canopy
- Steel Trim w/ Satin Nickel Finish
- 1 Medium Base Socket For Use With Incandescent, CFL, or LED Screw-In Lamp (Lamp Not Included)
- 42" Maximum Length
- Dry Location
- Mounting Hardware Included



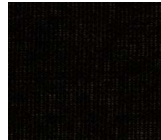
LINE DRAWING

LINE DRAWING NOT TO SCALE

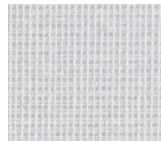


FABRIC

Black Butcher Linen



Off White Butcher Linen



Buff Odyssey



Oyster Silksheen



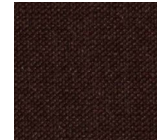
Camelot Off White Hardback



Red Butcher Linen



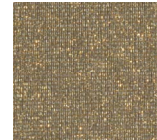
Chocolate Silk Shantung



Silver Organza



Gold Organza



White Butcher Linen



Natural Bombay



MULTI-COLOR MINI-PENDANT 7"

Architectural Indoor



Fixture Core

PROJECT:	
TYPE:	
PO#:	QTY:
COMMENTS:	

PRODUCT CODE	STYLE	FINISH
PD-6790 - Pendant & Hardware	241 - 7" Multi-Color Mini-Pendant	OB - Oil Brushed Bronze SN - Satin Nickel (Standard)
ORDER INFO		
PD-6790	241	OB

Example ^ (may not represent a manufacturable product)

Aesthetics & Options

INNER/TOP SHADE	OUTER/BOTTOM SHADE	OPTIONS
115-62 - Black Butcher Linen 146-13 - Buff Odyssey 180-05 - Camelot White Hardback 174-25 - Chocolate Silk Shantung 151-56 - Gold Organza 160-04 - Natural Bombay 115-05 - Off White Butcher Linen 136-33 - Oyster Silksheen 115-96 - Red Butcher Linen 151-97 - Silver Organza 115-01 - White Butcher Linen (Standard)	BBL - Black Butcher Linen (Standard) BO - Buff Odyssey CH - Camelot Hardback CS - Chocolate Silk GO - Gold Organza NB - Natural Bombay OBL - Off White Butcher Linen OS - Oyster Silksheen RBL - Red Butcher Linen SO - Silver Organza WBL - White Butcher Linen	GUA - GU-Base Socket Adaptor (120V Only)
ORDER INFO		
115-62	BBL	GUA

Example ^ (may not represent a manufacturable product)

REPLACEMENT PART	PART NO	NOTES
		Use Lamping up to: 60W Incandescent / 13W CFL / 7W LED Don't see the configuration you are looking for? Call us today at (513) 858-6004



TERONLIGHTING.COM
 33 DONALD DR, FAIRFIELD, OH 45014
 P: 513.858.6004 F: 513.858.6038
 E: SALES@TERONLIGHT.COM



We reserve the right to revise the design components of any product due to parts availability or change in UL standards, without assuming any obligation or liability to modify any products previously manufactured, and without notice.