

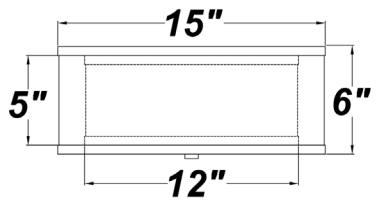
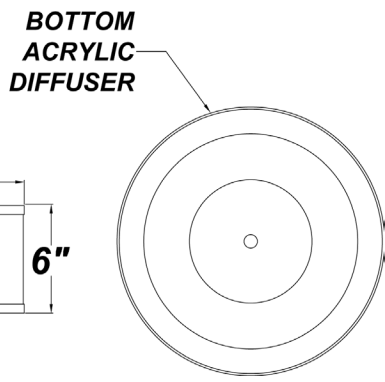
PROJECT :
TYPE :
ORDERING # :
COMMENTS :

15" CHELSEA FLUSH MOUNT

FEATURES



- 6.875" Cast Zinc Canopy
- Steel Trim w/ Satin Nickel Finish
- Silver Organza Outer Shade w/ White Butcher Linen Inner Shade
- Acrylic Diffuser Included
- Mounting Hardware Included
- 2 Medium Base Sockets
- For Use With Incandescent, Compact Fluorescent, or LED Screw-In Lamp (Lamps Not Included)
- Use Lamping up to
 - 100W Incandescent
 - 27W Compact Fluorescent
 - 19W LED
- Optional GU Base Socket Adaptor Available (Must be Used With 120V Only)
- Dry Location



ORDERING INFORMATION

Example : (FM-A120 - 151-97 - 145 - SN - WBL) Silver Organza w/ White butcher Linen is Standard

PRODUCT	OUTER SHADE	STYLE	TRIM FINISH	INNER SHADE	OPTION
Flush Mount & Hardware (FM-A120)	151-56 - Gold Organza	145 - 15" Silhouette Pendant	SN - Satin Nickel (Standard) OB - Oil Brushed Bronze	151-97 - Silver Organza	GUA - GU-Base Socket Adaptor
	115-01 - White Butcher Linen			115-62 - Black Butcher Linen	
	115-96 - Red Butcher Linen			115-05 - Off White Butcher Linen	
	174-25 - Chocolate Silk Shantung			136-33 - Oyster Silksheen	
	146-13 - Buff Odyssey			180-05 - Camelot Off-White Hardback	
	160-04 - Natural Bombay				



BUY AMERICA ACT

NOTES

We reserve the right to revise the design or components of any product due to parts availability or change in UL standards, without assuming any obligation or liability to modify any products previously manufactured, and without notice.