

HERITAGE ROUND RNG LED

Architectural Outdoor



PROJECT:	
TYPE:	
PO#:	QTY:
COMMENTS:	

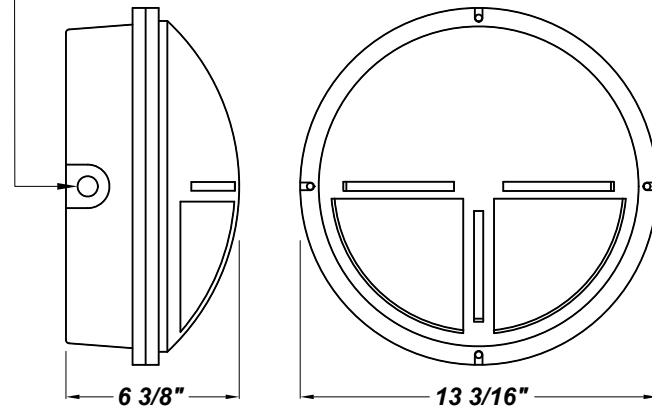
FEATURES

- Die-Cast, Marine Grade Aluminum Housing
- Injection Molded Polycarbonate Fascia w/ Weep Holes
- Translucent White Injection Molded
- UV-Stabilizing Polycarbonate Diffuser
- 0.040" Aluminum Reflector Plate w/ Hi-Reflectance White
- Powder Coat Finish, Extruded
- EPMD Ribbed / Foam Rubber Gasketing
- Junction Box Pattern on Housing For Easy Mounting
- Thermal Compensation Technology For the L24.5 Ensures Longer LED Lifetime, Which is Ideal For Fixtures Being Placed in Area w/ Fluctuating or Higher Ambient Temperatures
- 100V - 277V
- Surge Protector
- Integral Emergency Driver Available - Wall Mount Only
- CSA Listed Wet Location For Wall or Ceiling Mount

LINE DRAWING

LINE DRAWING NOT TO SCALE

**0.75" CONDUIT ENTRIES
4 TOTAL - SPACED 90 DEGREES
AROUND SIDE OF HOUSING**



FINISHES

For RAL Colors
& Custom
Match -
Contact Teron
Lighting Inc.

HERITAGE ROUND RNG LED

Architectural Outdoor



Fixture Core

PROJECT:	
TYPE:	
PO#:	QTY:
COMMENTS:	

PRODUCT CODE	SOURCE/WATTAGE	VOLTAGE	DIMMING DRIVER
HRT - Heritage Round	L18.4-12VDC - 18.4W @ 12V Direct Current Driver (6) 3.066W ThermAdjust LED Strips L21.0-ZE700 - (60) LED Array @ Line Voltage 4-Wire Dimming Driver (Dimmable 0 - 10V)	100 - 277V (50 / 60Hz)	Not Applicable
ORDER INFO			
HRT	L18.4-12VDC	100 - 277V	Not Applicable

Example ^ (may not represent a manufacturable product)

Aesthetics & Options

TRIM	FINISH	COLOR TEMP	OPTIONS
RNG	BK - Matte Black BZ - Matte Bronze WH - Matte White TI - Matte Titanium	27K - 2700K Color Temp 30K - 3000K Color Temp 35K - 3500K Color Temp 40K - 4000K Color Temp 50K - 5000K Color Temp (Not Available For L21.0)	EB51 - 5.1W Emergency Driver F - Fused PCL120 - 120V Photocell PCL277 - 277V Photocell TP - Tamper Resistant Screws
ORDER INFO			
RNG	BK	27K	EB51

Example ^ (may not represent a manufacturable product)

PROD	SOURCE	30K SPECS				
HRT	L18.4	<ul style="list-style-type: none"> 30K - 3000K Color Temp 1896 LED Source Lumens 103 LED Source Lumens Per Watt 				
	L21.0	<ul style="list-style-type: none"> 30K - 3000K Color Temp 2640 LED Source Lumens 125.7 LED Source Lumens Per Watt 				

REPLACEMENT PART	PART NO	NOTES
White Ribbed Polycarbonate Diffuser	3408360	
Frosted Ribbed Polycarbonate Diffuser	3408362	

Don't see the configuration you are looking for?
Call us today at (513) 858-6004



TERONLIGHTING.COM
 33 DONALD DR, FAIRFIELD, OH 45014
 P: 513.858.6004 F: 513.858.6038
 E: SALES@TERONLIGHT.COM



We reserve the right to revise the design components of any product due to parts availability or change in UL standards, without assuming any obligation or liability to modify any products previously manufactured, and without notice.

HERITAGE ROUND RNG LED

Architectural Outdoor



Fixture Core

PROJECT:	
TYPE:	
PO#:	QTY:
COMMENTS:	

PRODUCT CODE	SOURCE/WATTAGE	VOLTAGE	DIMMING DRIVER
HRT - Heritage Round	L24.5 - 24.5W @ 12V Direct Current Driver (8) 3.066W ThermAdjust LED Strips L30.0-ZE1000 - (60) LED Array @ Line Voltage 4-Wire Dimming Driver (Dimmable 0 - 10V)	100 - 277V (50 / 60Hz)	Not Applicable
ORDER INFO			
HRT	L24.5	100 - 277V	Not Applicable

Example ^ (may not represent a manufacturable product)

Aesthetics & Options

TRIM	FINISH	COLOR TEMP	OPTIONS
RNG	BK - Matte Black BZ - Matte Bronze WH - Matte White TI - Matte Titanium	27K - 2700K Color Temp 30K - 3000K Color Temp 35K - 3500K Color Temp 40K - 4000K Color Temp 50K - 5000K Color Temp (Not Available For L21.0)	EB51 - 5.1W Emergency Driver F - Fused PCL120 - 120V Photocell PCL277 - 277V Photocell TP - Tamper Resistant Screws
ORDER INFO			
RNG	BK	27K	EB51

Example ^ (may not represent a manufacturable product)

PROD	SOURCE	30K SPECS				
HRT	L24.5	<ul style="list-style-type: none"> 30K - 3000K Color Temp 2528 LED Source Lumens 103.2 LED Source Lumens Per Watt 				
	L30.0	<ul style="list-style-type: none"> 30K - 3000K Color Temp 4522 LED Source Lumens 134 LED Source Lumens Per Watt 				

REPLACEMENT PART	PART NO	NOTES
White Ribbed Polycarbonate Diffuser	3408360	
Frosted Ribbed Polycarbonate Diffuser	3408362	

Don't see the configuration you are looking for?
Call us today at (513) 858-6004



TERONLIGHTING.COM
 33 DONALD DR, FAIRFIELD, OH 45014
 P: 513.858.6004 F: 513.858.6038
 E: SALES@TERONLIGHT.COM



We reserve the right to revise the design components of any product due to parts availability or change in UL standards, without assuming any obligation or liability to modify any products previously manufactured, and without notice.