

# HERITAGE ROUND CRS LED

Architectural Outdoor



PROJECT:	
TYPE:	
PO#:	QTY:
COMMENTS:	

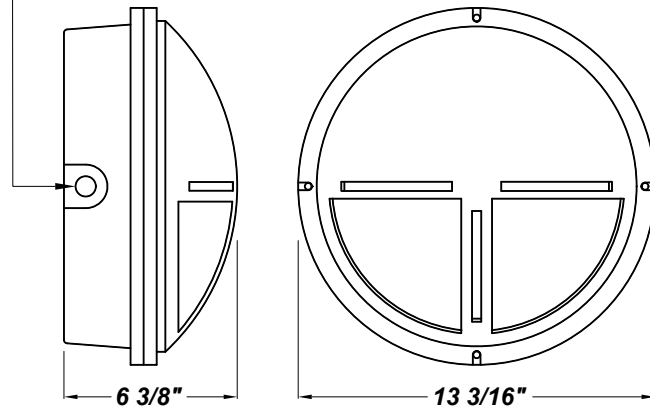
## FEATURES

- Die-Cast, Marine Grade Aluminum Housing
- Injection Molded Polycarbonate Fascia w/ Weep Holes
- Translucent White Injection Molded
- UV-Stabilizing Polycarbonate Diffuser
- 0.040" Aluminum Reflector Plate w/ Hi-Reflectance White
- Powder Coat Finish, Extruded
- EPMD Ribbed / Foam Rubber Gasketing
- Junction Box Pattern on Housing For Easy Mounting
- Thermal Compensation Technology For the L24.5 Ensures Longer LED Lifetime, Which is Ideal For Fixtures Being Placed in Area w/ Fluctuating or Higher Ambient Temperatures
- 100V - 277V
- Surge Protector
- Integral Emergency Driver Available - Wall Mount Only
- CSA Listed Wet Location For Wall or Ceiling Mount

## LINE DRAWING

LINE DRAWING NOT TO SCALE

**0.75" CONDUIT ENTRIES  
4 TOTAL - SPACED 90 DEGREES  
AROUND SIDE OF HOUSING**



## FINISHES

For RAL Colors  
& Custom  
Match -  
Contact Teron  
Lighting Inc.

# HERITAGE ROUND CRS LED

Architectural Outdoor



Fixture Core

PROJECT:	
TYPE:	
PO#:	QTY:
COMMENTS:	

PRODUCT CODE	SOURCE/WATTAGE	VOLTAGE	DIMMING DRIVER
HRT - Heritage Round	<b>L18.4-12VDC</b> - 18.4W @ 12V Direct Current Driver (6) 3.066W ThermAdjust LED Strips  <b>L21.0-ZE700</b> - (60) LED Array @ Line Voltage 4-Wire Dimming Driver (Dimmable 0 - 10V)	<b>100 - 277V</b> (50 / 60Hz)	<b>Not Applicable</b>
ORDER INFO			
HRT	L18.4-12VDC	100 - 277V	Not Applicable

Example ^ (may not represent a manufacturable product)

Aesthetics & Options

TRIM	FINISH	COLOR TEMP	OPTIONS
CRS	<b>BK</b> - Matte Black <b>BZ</b> - Matte Bronze <b>WH</b> - Matte White <b>TI</b> - Matte Titanium	<b>27K</b> - 2700K Color Temp <b>30K</b> - 3000K Color Temp <b>35K</b> - 3500K Color Temp <b>40K</b> - 4000K Color Temp <b>50K</b> - 5000K Color Temp (Not Available For L21.0)	<b>EB51</b> - 5.1W Emergency Driver <b>F</b> - Fused <b>PCL120</b> - 120V Photocell <b>PCL277</b> - 277V Photocell <b>TP</b> - Tamper Resistant Screws
ORDER INFO			
CRS	BK	27K	EB51

Example ^ (may not represent a manufacturable product)

PROD	SOURCE	30K SPECS				
HRT	L18.4	<ul style="list-style-type: none"> <li>30K - 3000K Color Temp</li> <li>1896 LED Source Lumens</li> <li>103 LED Source Lumens Per Watt</li> </ul>				
	L21.0	<ul style="list-style-type: none"> <li>30K - 3000K Color Temp</li> <li>2640 LED Source Lumens</li> <li>125.7 LED Source Lumens Per Watt</li> </ul>				

REPLACEMENT PART	PART NO	NOTES
White Ribbed Polycarbonate Diffuser	3408360	
Frosted Ribbed Polycarbonate Diffuser	3408362	

Don't see the configuration you are looking for?  
Call us today at (513) 858-6004



**TERONLIGHTING.COM**  
 33 DONALD DR, FAIRFIELD, OH 45014  
 P: 513.858.6004 F: 513.858.6038  
 E: SALES@TERONLIGHT.COM



We reserve the right to revise the design components of any product due to parts availability or change in UL standards, without assuming any obligation or liability to modify any products previously manufactured, and without notice.

# HERITAGE ROUND CRS LED

Architectural Outdoor



Fixture Core

PROJECT:	
TYPE:	
PO#:	QTY:
COMMENTS:	

PRODUCT CODE	SOURCE/WATTAGE	VOLTAGE	DIMMING DRIVER
HRT - Heritage Round	<b>L24.5</b> - 24.5W @ 12V Direct Current Driver (8) 3.066W ThermAdjust LED Strips <b>L30.0-ZE1000</b> - (60) LED Array @ Line Voltage 4-Wire Dimming Driver (Dimmable 0 - 10V)	<b>100 - 277V</b> (50 / 60Hz)	<b>Not Applicable</b>
ORDER INFO			
HRT	L24.5	100 - 277V	Not Applicable

Example ^ (may not represent a manufacturable product)

Aesthetics & Options

TRIM	FINISH	COLOR TEMP	OPTIONS
<b>CRS</b>	<b>BK</b> - Matte Black <b>BZ</b> - Matte Bronze <b>WH</b> - Matte White <b>TI</b> - Matte Titanium	<b>27K</b> - 2700K Color Temp <b>30K</b> - 3000K Color Temp <b>35K</b> - 3500K Color Temp <b>40K</b> - 4000K Color Temp <b>50K</b> - 5000K Color Temp (Not Available For L21.0)	<b>EB51</b> - 5.1W Emergency Driver <b>F</b> - Fused <b>PCL120</b> - 120V Photocell <b>PCL277</b> - 277V Photocell <b>TP</b> - Tamper Resistant Screws
ORDER INFO			
CRS	BK	27K	EB51

Example ^ (may not represent a manufacturable product)

PROD	SOURCE	30K SPECS				
HRT	L24.5	<ul style="list-style-type: none"> <li>30K - 3000K Color Temp</li> <li>2528 LED Source Lumens</li> <li>103.2 LED Source Lumens Per Watt</li> </ul>				
	L30.0	<ul style="list-style-type: none"> <li>30K - 3000K Color Temp</li> <li>4522 LED Source Lumens</li> <li>134 LED Source Lumens Per Watt</li> </ul>				

REPLACEMENT PART	PART NO	NOTES
White Ribbed Polycarbonate Diffuser	3408360	
Frosted Ribbed Polycarbonate Diffuser	3408362	

Don't see the configuration you are looking for?  
Call us today at (513) 858-6004



TERONLIGHTING.COM  
 33 DONALD DR, FAIRFIELD, OH 45014  
 P: 513.858.6004 F: 513.858.6038  
 E: SALES@TERONLIGHT.COM



We reserve the right to revise the design components of any product due to parts availability or change in UL standards, without assuming any obligation or liability to modify any products previously manufactured, and without notice.