

VICEROY SLT LED 12"

Architectural Indoor



PROJECT:	
TYPE:	
PO#:	QTY:
COMMENTS:	

FEATURES

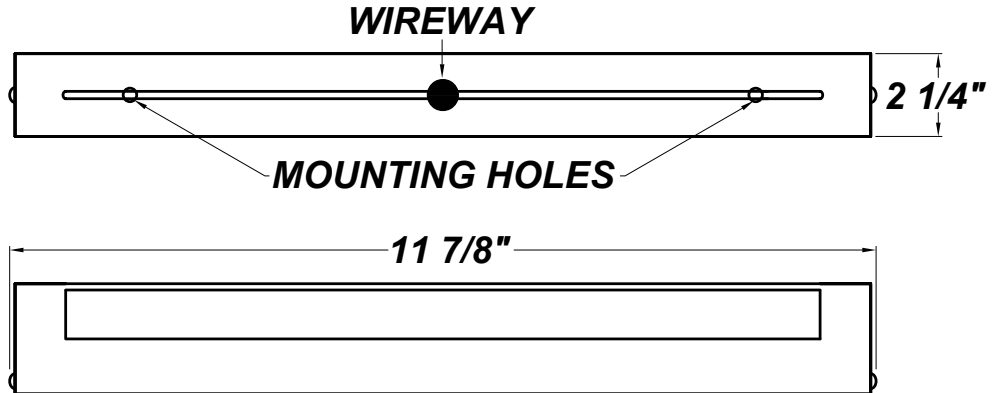
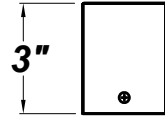
- Steel Housing with Matte Silver Powder Coat Finish
- Aluminum Mount Pan with Hi-Reflectance White Powder Coat Finish
- Matte White Acrylic Inner Diffuser
- Clear Acrylic Outer Diffuser
- Constant Current Dimmable to 10% From 120V to 277V
- Mounts Directly to Surface with Two Wall Anchors (Not Included) Over a 2" Junction Box (Not Included)
- ADA Compliant
- CSA Listed Damp Location For Wall or Ceiling Mount
- LED Light Fixture



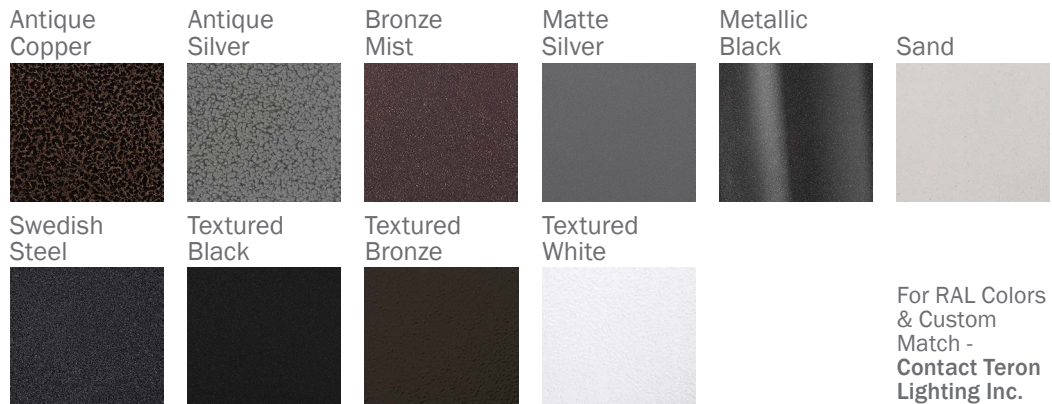
LINE DRAWING



LINE DRAWING NOT TO SCALE



FINISHES



VICEROY SLT LED 12"

Architectural Indoor



Fixture Core

PROJECT:	
TYPE:	
PO#:	QTY:
COMMENTS:	

PRODUCT CODE	SOURCE/WATTAGE	VOLTAGE	DIMMING DRIVER
VCY12 - Viceroy 12"	L4.5-LT150 - 4.5W LED Strip(s) @ 150mA ELV Dimming Driver L6.0-TE175 - 6W LED Strip(s) @ 175mA ELV Dimming Driver L6.8-LT200 - 6.8W LED Strip(s) @ 200mA ELV Dimming Driver	120-277V	Not Applicable
ORDER INFO			
VCY12 Example ^	L4.5-LT150	120-277V	Not Applicable

Aesthetics & Options

TRIM	FINISH	COLOR TEMP	OPTIONS
SLT	AC - Antique Copper AS - Antique Silver BT - Bronze Mist BZ - Textured Bronze SM - Matte Silver (Standard) MB - Metallic Black SN - Sand SW - Swedish Steel TB - Textured Black TW - Textured Whit	40K - 4000K Color Temp 35K - 3500K Color Temp 30K - 3000K Color Temp	F - Single Fuse 120-277V JBC - 4" x 4" Junction Box Cover (Mounts to Fixture, Allowing it to be Retro-fitted Over an Existing Junction Box) TP - Tamper-Proof Screw Set
ORDER INFO			
SLT Example ^	AC	40K	F

PROD	SOURCE	30K SPECS				
VCY12	L4.5	<ul style="list-style-type: none"> 30K - 3000K Color Temp 745.3 LED Source Lumens 165.6 LED Source Lumens Per Watt 				
	L6.0	<ul style="list-style-type: none"> 30K - 3000K Color Temp 869.5 LED Source Lumens 144.9 LED Source Lumens Per Watt 				
	L6.8	<ul style="list-style-type: none"> 30K - 3000K Color Temp 993.7 LED Source Lumens 146.1 LED Source Lumens Per Watt 				

REPLACEMENT PART	PART NO	NOTES
1' Lens Assembly	38114	
		Don't see the configuration you are looking for? Call us today at (513) 858-6004



TERONLIGHTING.COM
 33 DONALD DR, FAIRFIELD, OH 45014
 P: 513.858.6004 F: 513.858.6038
 E: SALES@TERONLIGHT.COM



We reserve the right to revise the design components of any product due to parts availability or change in UL standards, without assuming any obligation or liability to modify any products previously manufactured, and without notice.

VICEROY SLT LED 12"

Architectural Indoor



Fixture Core

PROJECT:	
TYPE:	
PO#:	QTY:
COMMENTS:	

PRODUCT CODE	SOURCE/WATTAGE	VOLTAGE	DIMMING DRIVER
VCY12 - Viceroy 12"	L8.5-LT250 - 8.5W LED Strip(s) @ 250mA ELV Dimming Driver L9.1-TE275 - 9.1W LED Strip(s) @ 275mA ELV Dimming Driver L10.2-LT300 - 10.2W LED Strip(s) @ 300mA ELV Dimming Driver	120-277V	Not Applicable
ORDER INFO			
VCY12 Example ^	L8.5-LT250	120-277V	Not Applicable

Aesthetics & Options

TRIM	FINISH	COLOR TEMP	OPTIONS
SLT	AC - Antique Copper AS - Antique Silver BT - Bronze Mist BZ - Textured Bronze SM - Matte Silver (Standard) MB - Metallic Black SN - Sand SW - Swedish Steel TB - Textured Black TW - Textured Whit	40K - 4000K Color Temp 35K - 3500K Color Temp 30K - 3000K Color Temp	F - Single Fuse 120-277V JBC - 4" x 4" Junction Box Cover (Mounts to Fixture, Allowing it to be Retro-fitted Over an Existing Junction Box) TP - Tamper-Proof Screw Set
ORDER INFO			
SLT Example ^	AC	40K	F

PROD	SOURCE	30K SPECS				
VCY12	L8.5	<ul style="list-style-type: none"> • 30K - 3000K Color Temp • 1242 LED Source Lumens • 146.1 LED Source Lumens Per Watt 				
	L9.1	<ul style="list-style-type: none"> • 30K - 3000K Color Temp • 1366.4 LED Source Lumens • 150.2 LED Source Lumens Per Watt 				
	L10.2	<ul style="list-style-type: none"> • 30K - 3000K Color Temp • 1490 LED Source Lumens • 146.1 LED Source Lumens Per Watt 				

REPLACEMENT PART	PART NO	NOTES
1' Lens Assembly	38114	
		Don't see the configuration you are looking for? Call us today at (513) 858-6004



TERONLIGHTING.COM
 33 DONALD DR, FAIRFIELD, OH 45014
 P: 513.858.6004 F: 513.858.6038
 E: SALES@TERONLIGHT.COM



We reserve the right to revise the design components of any product due to parts availability or change in UL standards, without assuming any obligation or liability to modify any products previously manufactured, and without notice.