

# EAGLE PRF LED 19"

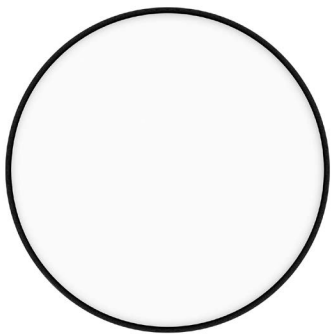
Architectural Outdoor



PROJECT:	
TYPE:	
PO#:	QTY:
COMMENTS:	

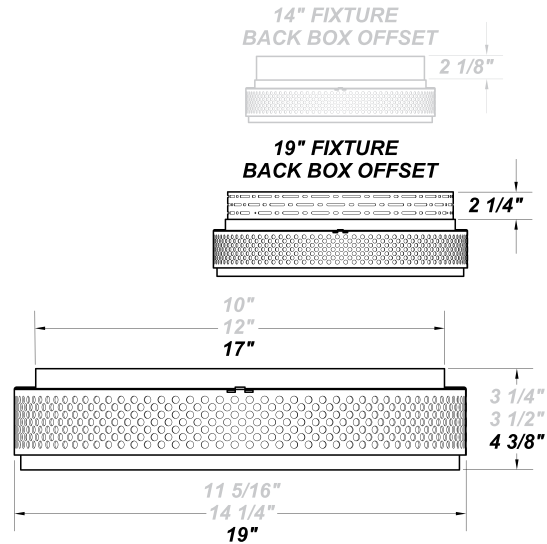
## FEATURES

- Steel Mounting Pan w/ Hi-Reflectance White Powder Coat Finish (For L21.0 & L37.5)
- Aluminum Mounting Pan w/ Hi-Reflectance White Powder Coat Finish (For L30.0)
- Luminous White Acrylic Diffuser
- Mounts Directly to 4" Junction Box (By Others)
- IES Files Available
- ADA Compliant
- CSA Listed Damp Location Wall and Ceiling
- Emergency Battery Available
- LED Light Fixture
- Mounting Hardware Included

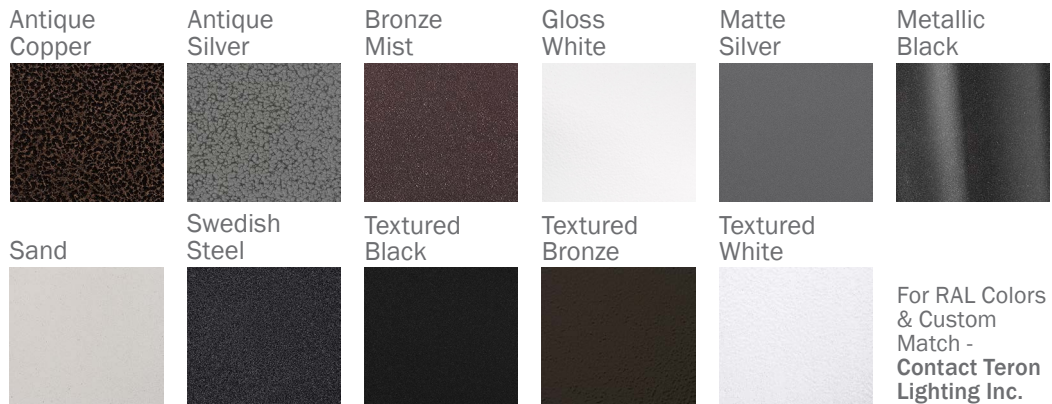


## LINE DRAWING

LINE DRAWING NOT TO SCALE



## FINISHES



# EAGLE PRF LED 19"

Architectural Outdoor



Fixture Core

PROJECT:	
TYPE:	
PO#:	QTY:
COMMENTS:	

PRODUCT CODE	SOURCE/WATTAGE	VOLTAGE	DIMMING DRIVER
EE - Eagle	<b>L21.0-ZE700</b> - (60) LED Array @ Line Voltage 4-Wire Dimming Driver (Dimmable 0 - 10V) <b>L30.0-ZE1000</b> - (60) LED Array @ Line Voltage 4-Wire Dimming Driver (Dimmable 0 - 10V) <b>L37.5-ZE1050</b> - (120) LED Array @ Line Voltage 4-Wire Dimming Driver (Dimmable 0 - 10V)	<b>120V</b> <b>270V</b> (50 / 60Hz)	Not Applicable
ORDER INFO			

EE	L21.0-ZE700	120V	Not Applicable
Example ^ (may not represent a manufacturable product)			

Aesthetics & Options

TRIM	FINISH	COLOR TEMP	OPTIONS
PRF	<b>AC</b> - Antique Copper <b>AS</b> - Antique Silver <b>BT</b> - Bronze Mist <b>WH</b> - Gloss White (Standard) <b>MB</b> - Metallic Black <b>SM</b> - Matte Silver <b>SN</b> - Sand <b>SW</b> - Swedish Steel <b>TB</b> - Textured Black <b>BZ</b> - Textured Bronze <b>TW</b> - Textured White	<b>27K</b> - 2700K Color Temp <b>30K</b> - 3000K Color Temp <b>35K</b> - 3500K Color Temp <b>40K</b> - 4000K Color Temp	<b>ALP</b> - Aluminum Mount Pan w/ White Finish <b>BB</b> - Back Box*** <b>EB/BB</b> - Bodine BSL26 - Up to 5.1W Emergency Illumination w/ LEDs (Back Box Required)** <b>F</b> - Fused <b>SP</b> - Surge Protector (37.5 Only) <b>STC12-WH</b> - 12" Stem and Canopy Kit <b>STC24-WH</b> - 24" Stem and Canopy Kit <b>STC36-WH</b> - 36" Stem and Canopy Kit <b>STC48-WH</b> - 48" Stem and Canopy Kit <b>TP</b> - Tamper-Proof Screw Set <b>WAL</b> - White Acrylic (Standard) <b>WLL</b> - LED High Lumen Lens
ORDER INFO			

PRF	AC	27K	ALP
Example ^ (may not represent a manufacturable product)			

PROD	SOURCE	30K SPECS	30K SPECS			
EE 19"	L21.0	<ul style="list-style-type: none"> <li>WAL Lens</li> <li>80 CRI Typ.</li> <li>30K - 3000K Color Temp</li> <li>2640 LED Source Lumens</li> <li>105 LED Source Lumens Per Watt</li> </ul>	<ul style="list-style-type: none"> <li>WLL Lens</li> <li>80 CRI Typ.</li> <li>30K - 3000K Color Temp</li> <li>2640 LED Source Lumens</li> <li>105 LED Source Lumens Per Watt</li> </ul>			
	L30.0	<ul style="list-style-type: none"> <li>WAL Lens</li> <li>80 CRI Typ.</li> <li>30K - 3000K Color Temp</li> <li>4522 LED Source Lumens</li> <li>134 LED Source Lumens Per Watt</li> </ul>	<ul style="list-style-type: none"> <li>WLL Lens</li> <li>80 CRI Typ.</li> <li>30K - 3000K Color Temp</li> <li>4522 LED Source Lumens</li> <li>134 LED Source Lumens Per Watt</li> </ul>			
	L37.5	<ul style="list-style-type: none"> <li>WAL Lens</li> <li>80 CRI Typ.</li> <li>30K - 3000K Color Temp</li> <li>4845 LED Source Lumens</li> <li>135.4 LED Source Lumens Per Watt</li> </ul>	<ul style="list-style-type: none"> <li>WLL Lens</li> <li>80 CRI Typ.</li> <li>30K - 3000K Color Temp</li> <li>4845 LED Source Lumens</li> <li>135.4 LED Source Lumens Per Watt</li> </ul>			

REPLACEMENT PART	PART NO	NOTES
19" White Acrylic Diffuser	3011960	**AC Mode 960 Lumens
19" White Acrylic LED Diffuser	3067560	Battery @ 1 second = 322 Total Lumens Battery @ 90 Minutes = 291 Total Lumens (Please Specify Voltage)
		***Not CSA Damp Location Listed for Wall Mount Don't see the configuration you are looking for? Call us today at (513) 858-6004



TERONLIGHTING.COM  
 33 DONALD DR, FAIRFIELD, OH 45014  
 P: 513.858.6004 F: 513.858.6038  
 E: SALES@TERONLIGHT.COM



We reserve the right to revise the design components of any product due to parts availability or change in UL standards, without assuming any obligation or liability to modify any products previously manufactured, and without notice.