

# EAGLE PRF LED 14"

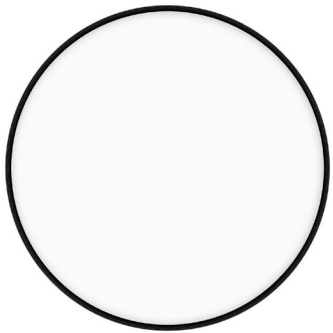
Architectural Outdoor



PROJECT:	
TYPE:	
PO#:	QTY:
COMMENTS:	

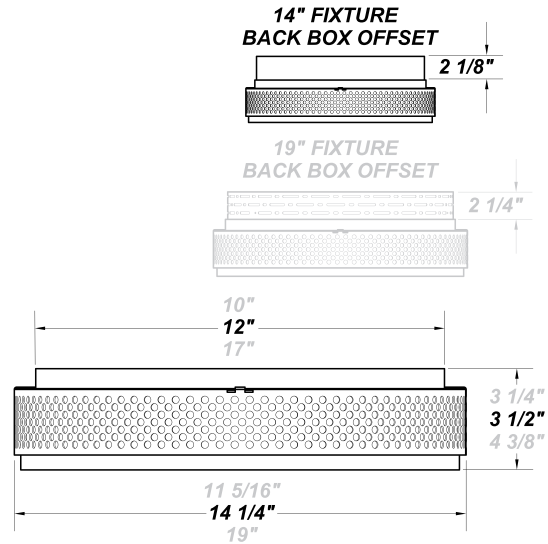
## FEATURES

- Steel Mounting Pan w/ Hi-Reflectance White Powder Coat Finish
- Luminous White Acrylic Diffuser
- Mounts Directly to 4" Junction Box (By Others)
- IES Files Available
- ADA Compliant
- CSA Listed Damp Location Wall and Ceiling
- Emergency Battery Available
- LED Light Fixture
- Mounting Hardware Included

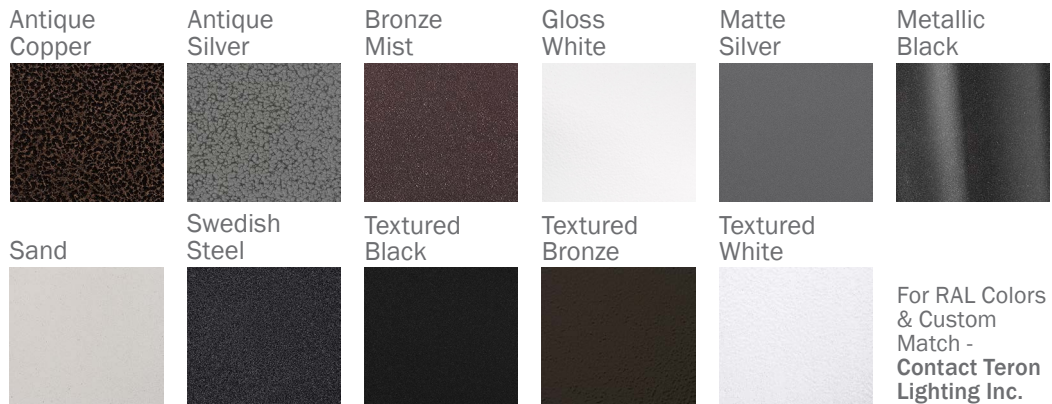


## LINE DRAWING

LINE DRAWING NOT TO SCALE



## FINISHES



# EAGLE PRF LED 14"

Architectural Outdoor



Fixture Core

PROJECT:	
TYPE:	
PO#:	QTY:
COMMENTS:	

PRODUCT CODE	SOURCE/WATTAGE	VOLTAGE	DIMMING DRIVER
EE - Eagle	<b>L16.3-ZE560</b> - (60) LED Array @ Line Voltage 4-Wire Dimming Driver (Dimmable 0 - 10V) <b>L21.0-ZE700</b> - (60) LED Array @ Line Voltage 4-Wire Dimming Driver (Dimmable 0 - 10V)	<b>120V</b> <b>270V</b> (50 / 60Hz)	Not Applicable
ORDER INFO			
EE	L16.3-ZE560	120V	Not Applicable

Example ^ (may not represent a manufacturable product)

Aesthetics & Options

TRIM	FINISH	COLOR TEMP	OPTIONS
PRF	<b>AC</b> - Antique Copper <b>AS</b> - Antique Silver <b>BT</b> - Bronze Mist <b>WH</b> - Gloss White (Standard) <b>MB</b> - Metallic Black <b>SM</b> - Matte Silver <b>SN</b> - Sand <b>SW</b> - Swedish Steel <b>TB</b> - Textured Black <b>BZ</b> - Textured Bronze <b>TW</b> - Textured White	<b>27K</b> - 2700K Color Temp <b>30K</b> - 3000K Color Temp <b>35K</b> - 3500K Color Temp <b>40K</b> - 4000K Color Temp	<b>ALP</b> - Aluminum Mount Pan w/ White Finish <b>BB</b> - Back Box*** <b>EB/BB</b> - Bodine BSL26 - Up to 5.1W Emergency Illumination w/ LEDs (Back Box Required)** <b>F</b> - Fused <b>STC12-WH</b> - 12" Stem and Canopy Kit <b>STC24-WH</b> - 24" Stem and Canopy Kit <b>STC36-WH</b> - 36" Stem and Canopy Kit <b>STC48-WH</b> - 48" Stem and Canopy Kit <b>TP</b> - Tamper-Proof Screw Set <b>WAL</b> - White Acrylic (Standard) <b>WLL</b> - LED High Lumen Lens <b>WPL</b> - White Polycarbonate
ORDER INFO			
PRF	AC	27K	ALP

Example ^ (may not represent a manufacturable product)

PROD	SOURCE	30K SPECS	30K SPECS			
EE 14"	L16.3	<ul style="list-style-type: none"> <li>WAL Lens</li> <li>80 CRI Typ.</li> <li>30K - 3000K Color Temp</li> <li>2110 LED Source Lumens</li> <li>103 LED Source Lumens Per Watt</li> </ul>	<ul style="list-style-type: none"> <li>WLL Lens</li> <li>80 CRI Typ.</li> <li>30K - 3000K Color Temp</li> <li>2110 LED Source Lumens</li> <li>103 LED Source Lumens Per Watt</li> </ul>			
	L21.0	<ul style="list-style-type: none"> <li>WAL Lens</li> <li>80 CRI Typ.</li> <li>30K - 3000K Color Temp</li> <li>2640 LED Source Lumens</li> <li>105 LED Source Lumens Per Watt</li> </ul>	<ul style="list-style-type: none"> <li>WLL Lens</li> <li>80 CRI Typ.</li> <li>30K - 3000K Color Temp</li> <li>2640 LED Source Lumens</li> <li>105 LED Source Lumens Per Watt</li> </ul>			

REPLACEMENT PART	PART NO	NOTES
14" White Acrylic Diffuser	3011560	**AC Mode 960 Lumens
14" White Acrylic LED Diffuser	3053160	Battery @ 1 second = 322 Total Lumens Battery @ 90 Minutes = 291 Total Lumens (Please Specify Voltage)
		***Not CSA Damp Location Listed for Wall Mount Don't see the configuration you are looking for? Call us today at (513) 858-6004



**TERONLIGHTING.COM**  
 33 DONALD DR, FAIRFIELD, OH 45014  
 P: 513.858.6004 F: 513.858.6038  
 E: SALES@TERONLIGHT.COM



We reserve the right to revise the design components of any product due to parts availability or change in UL standards, without assuming any obligation or liability to modify any products previously manufactured, and without notice.