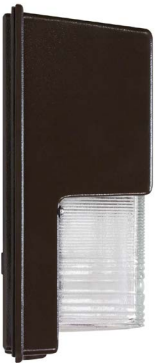


# CALCUTTA CA LED

Architectural Outdoor



PROJECT:	
TYPE:	
PO#:	QTY:
COMMENTS:	



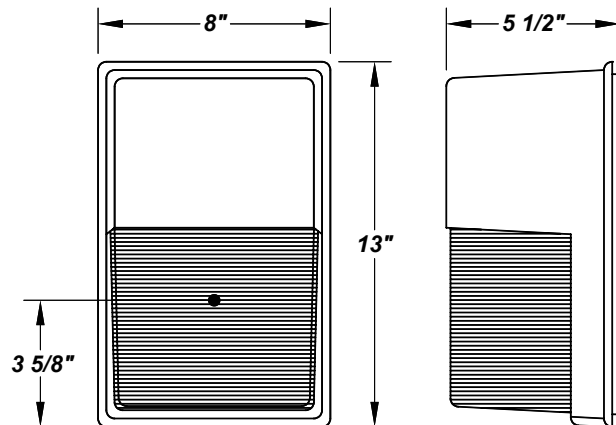
## FEATURES

- Die-Cast Aluminum Housing w/ Textured Bronze Polyester Powder Coat Finish
- Clear Prismatic Ribbed Borosilicate Glass lens
- Thermal Compensation Technology Ensures Longer LED Lifetime - Ideal For Fixtures Being Placed in Area w/ Fluctuating or Higher Ambient Temperatures
- Photocell Included
- Surge Protector
- Mounts Directly to 4" Junction Box (By Others)
- CSA Listed Wet Location For Wall Mount
- LED Light Fixture
- Vandal Resistant

## LINE DRAWING

LINE DRAWING NOT TO SCALE

**0.50" CONDUIT ENTRIES  
ONE ON BOTTOM OF FIXTURE  
AND ONE ON BACK OF HOUSING**



## FINISHES

Textured  
Bronze



For RAL Colors  
& Custom  
Match -  
Contact Teron  
Lighting Inc.

# CALCUTTA CA LED

Architectural Outdoor



Fixture Core

PROJECT:	
TYPE:	
PO#:	QTY:
COMMENTS:	

PRODUCT CODE	SOURCE/WATTAGE	VOLTAGE	DIMMING DRIVER
CAC - Calcutta C	L19.0-ZE700 - 19W @ 700mA 0-10V Dimming Driver	120 - 277V (50/60Hz)	Not Applicable
ORDER INFO			
CAC	L19.0-ZE700	120 - 277V	Not Applicable

Example ^ (may not represent a manufacturable product)

Aesthetics & Options

TRIM	FINISH	COLOR TEMP	OPTIONS
Not Applicable	BZ - Textured Bronze	50K - 5000K Color Temp	DF - Double Fused SF - Single Fused TP - Tamper Resistant Screws WGD - Wire Guard
ORDER INFO			
Not Applicable	BZ	50K	DF

Example ^ (may not represent a manufacturable product)

PROD	SOURCE	50K SPECS			
CAC	L19.0	<ul style="list-style-type: none"> <li>50K - 5000K Color Temp</li> <li>2610 LED Source Lumens</li> <li>1543 LED Delivered Lumens</li> <li>64.6 LED Delivered Lumens Per Watt</li> </ul>			

REPLACEMENT PART	PART NO	NOTES
Clear Glass Diffuser	37027	

Don't see the configuration you are looking for?  
Call us today at (513) 858-6004



TERONLIGHTING.COM  
33 DONALD DR, FAIRFIELD, OH 45014  
P: 513.858.6004 F: 513.858.6038  
E: SALES@TERONLIGHT.COM



We reserve the right to revise the design components of any product due to parts availability or change in UL standards, without assuming any obligation or liability to modify any products previously manufactured, and without notice.