

NIKE C LED 12"

Architectural Indoor



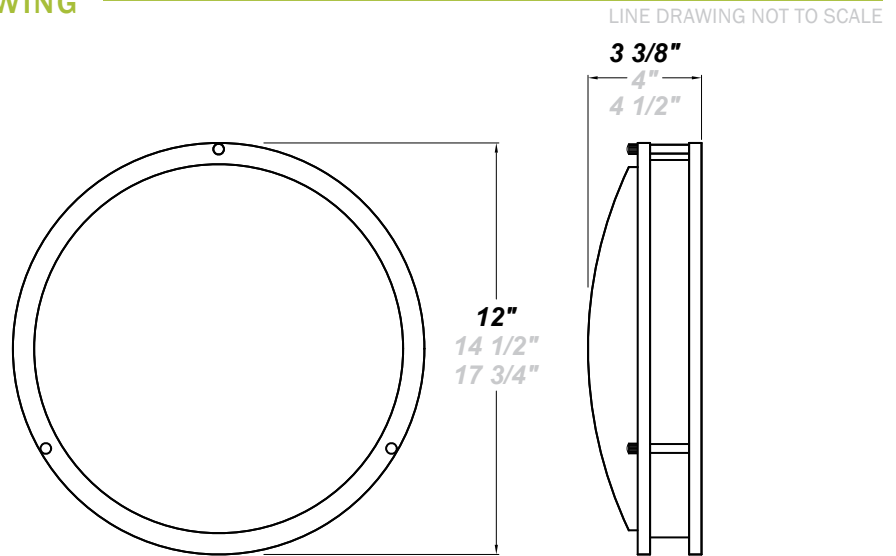
PROJECT:	
TYPE:	
PO#:	QTY:
COMMENTS:	

FEATURES

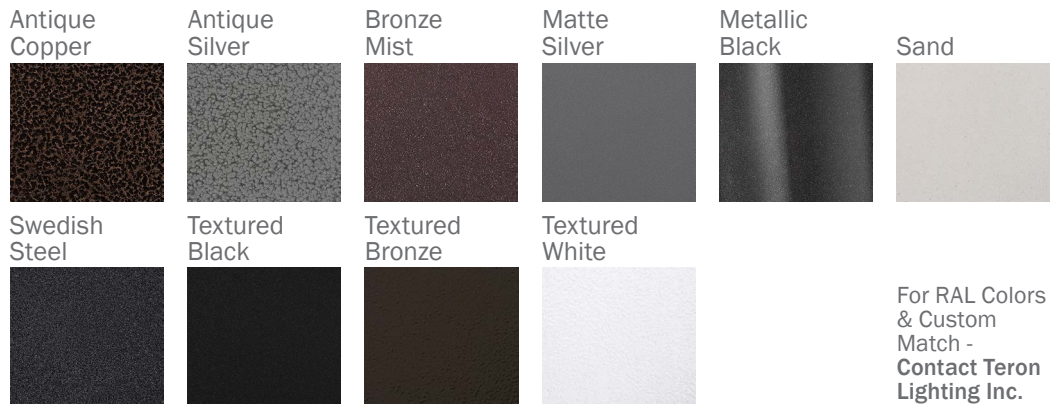
- Die-Form Cold-Rolled Steel Housing w/ Brushed Nickel Plated Finish
- Steel Trim w/ Brushed Nickel Plated Finish
- Steel Mounting Pan w/ Hi-Reflectance White Powder Coat Finish
- Luminous White Acrylic Diffuser
- Mounts Directly to 4" Junction Box (By Others)
- IES Files Are Available
- ADA Compliant
- CSA Listed Damp Location
- LED Light Fixture
- Mounting Hardware Included



LINE DRAWING



FINISHES



NIKE C LED 12"

Architectural Indoor



Fixture Core

PROJECT:	
TYPE:	
PO#:	QTY:
COMMENTS:	

PRODUCT CODE	SOURCE/WATTAGE	VOLTAGE	DIMMING DRIVER
NEC12 - Nike C 12"	L13.0-ZE560 - (48) LED Array @ 560mA Line Voltage 4-Wire Dimming Driver (Dimmable 0 - 10V)	120V 277V (50 / 60Hz)	Not Applicable
ORDER INFO			
NEC12 Example ^	L13.0-ZE560	120V	Not Applicable

Aesthetics & Options

TRIM	FINISH	COLOR TEMP	OPTIONS
Not Applicable	AC - Antique Copper AS - Antique Silver BT - Bronze Mist BN - Brushed Nickel (Standard) SM - Matte Silver MB - Metallic Black SN - Sand SW - Swedish Steel TB - Textured Black BZ - Textured Bronze TW - Textured White	27K - 2700K Color Temp 30K - 3000K Color Temp 35K - 3500K Color Temp 40K - 4000K Color Temp	F - Fused STC12-WH - 12" Stem / Canopy Kits STC24-WH - 24" Stem / Canopy Kits STC36-WH - 36" Stem / Canopy Kits STC48-WH - 48" Stem / Canopy Kits
ORDER INFO			
Not Applicable Example ^	AC	27K	F

PROD	SOURCE	30K SPECS				
NEC12	L13.0	<ul style="list-style-type: none"> • 30K - 3000K Color Temp • 1700 LED Source Lumens • 105 LED Source Lumens Per Watt • 986 Delivered LED Lumens • 65.5 Delivered LED Lumens Per Watt 				

REPLACEMENT PART	PART NO	NOTES
12" White Acrylic Diffuser	3035960	(All Stem Canopy Kits Are White Finish Unless Other Finish is Specified When Ordering)
		Don't see the configuration you are looking for? Call us today at (513) 858-6004



TERONLIGHTING.COM
 33 DONALD DR, FAIRFIELD, OH 45014
 P: 513.858.6004 F: 513.858.6038
 E: SALES@TERONLIGHT.COM



We reserve the right to revise the design components of any product due to parts availability or change in UL standards, without assuming any obligation or liability to modify any products previously manufactured, and without notice.