

NIBLICK POLY LED

Architectural Outdoor



PROJECT:	
TYPE:	
PO#:	QTY:
COMMENTS:	



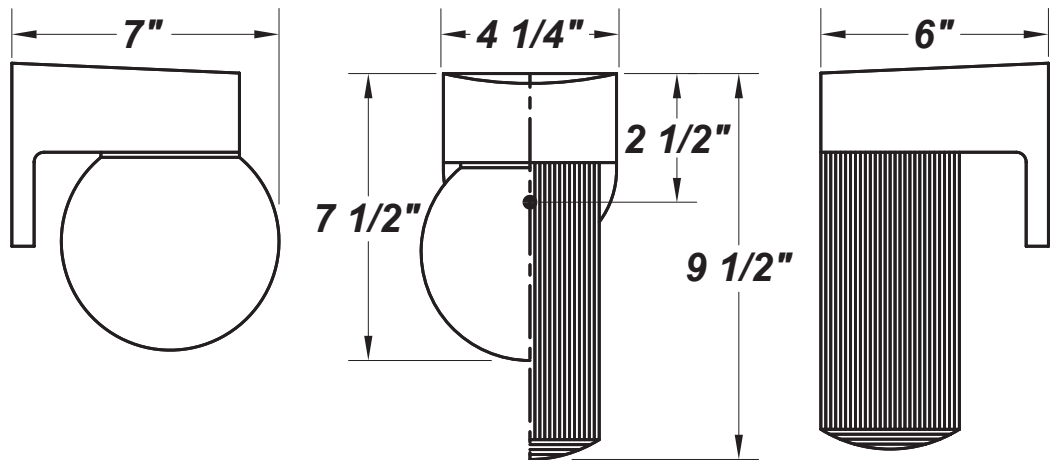
FEATURES

- Black or White Polycarbonate Housing
- Luminous White Polycarbonate Jar Diffuser
- Ambient Operating Temperature -40° C (-40° F) to 40° C (105° F)
- Constant Current at 700 Milliamps
- Estimated 50,000 Hours Life (L70)
- Thermal Protected LED Array
- Mounts Directly to 4" Junction Box (By Others)
- Wet Location
- LED Light Fixture
- Mounting Hardware Included



LINE DRAWING

LINE DRAWING NOT TO SCALE



FINISHES

For RAL Colors
& Custom
Match -
Contact Teron
Lighting Inc.

NIBLICK POLY LED

Architectural Outdoor



Fixture Core

PROJECT:	
TYPE:	
PO#:	QTY:
COMMENTS:	

PRODUCT CODE	SOURCE/WATTAGE	VOLTAGE	DIMMING DRIVER
PNK - Niblick Poly	L10.0 - (4) LED Array	120 - 270V (50 / 60Hz)	Not Applicable
ORDER INFO			
PNK	L10.0	120 - 270V	Not Applicable

Example ^ (may not represent a manufacturable product)

Aesthetics & Options

TRIM	FINISH	COLOR TEMP	OPTIONS
Not Applicable	BK - Black WH - White	40K - 4000K Color Temp	PCL120 - Photocell 120V JC - Clear Jar Polycarbonate Lens (Standard) JW - White Jar Polycarbonate Lens GC - Clear 6" Ribbed Polycarbonate Globe GW - White 6" Polycarbonate Globe
ORDER INFO			
Not Applicable	BK	40K	PCL120

Example ^ (may not represent a manufacturable product)

PROD	SOURCE	30K SPECS			
PNK	L10.0	<ul style="list-style-type: none"> • 74 CRI Typ. • 30K - 3000K Color Temp • 912 LED Source Lumens • 80 LED Source Lumans Per Watt 			

REPLACEMENT PART	PART NO	NOTES
Clear Ribbed Jar Polycarbonate Diffuser	34024	Don't see the configuration you are looking for? Call us today at (513) 858-6004
White Ribbed Jar Polycarbonate Diffuser	3402460	
Clear 6" Ribbed Polycarbonate Globe Diffuser	34030	
White 6" Polycarbonate Globe Diffuser	3402960	



TERONLIGHTING.COM
 33 DONALD DR, FAIRFIELD, OH 45014
 P: 513.858.6004 F: 513.858.6038
 E: SALES@TERONLIGHT.COM



We reserve the right to revise the design components of any product due to parts availability or change in UL standards, without assuming any obligation or liability to modify any products previously manufactured, and without notice.