

PROJECT :
TYPE :
ORDERING # :
COMMENTS :

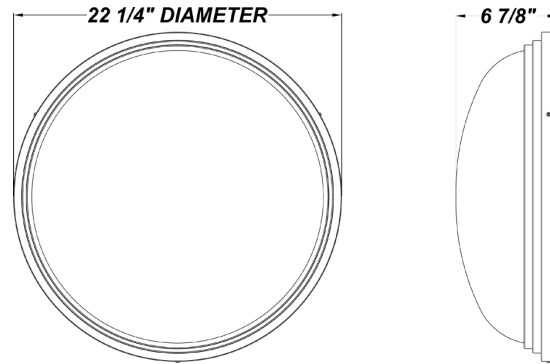
**FUSION MON**

**FEATURES**



Textured White Finish Shown  
COMPACT FLUORESCENT

- Steel Trim w/ Matte Silver Powder Coat Finish (Standard)
- Luminous White Acrylic Diffuser
- Aluminum Mounting Pan w/Hi-Reflectance White Powder Coat Finish
- Fixture Mounts Directly to Surface (Centered Over J-Box) w/ Four Washers & Wall Anchors (Not Included)
- Integral EM Battery Available (2x39W Maximum)
- Lamps Included
- CSA Listed Damp Location For Ceiling Mount



**ORDERING INFORMATION**

Example : (FUN - MON - F227E - 120E - SM - 35K - EBW)

Matte Silver is Standard Finish

FUN-MON					
PRODUCT	SOURCE/WATTAGE	VOLTAGE	DIFFUSER	FINISH	OPTIONS
<b>Fusion MON</b>	<b>F326Q</b> - (3) 26W QE <b>F426Q</b> - (4) 26W QE <b>F227E</b> - (2) 27W 4-Pin Biax** <b>F327E</b> - (3) 27W 4-Pin Biax <b>F427E</b> - (4) 27W 4-Pin Biax <b>F239E</b> - (2) 39W 4-Pin Biax** <b>F239E/F227E</b> - (2) 39W 4-Pin Biax & (2) 27w 4-Pin Biax  ** Integral Emergency Battery Available	<b>120E</b> - 120V Electronic <b>277E</b> - 277V Electronic <b>347E</b> - 347V Electronic	<b>Not Applicable</b>	<b>SM</b> - Matte Silver <b>TB</b> - Textured Black <b>AC</b> - Antique Copper <b>AS</b> - Antique Silver <b>BT</b> - Bronze Mist <b>CP</b> - Copper <b>KC</b> - Kenworth Chrome <b>SN</b> - Sand <b>SW</b> - Swedish Steel <b>BZ</b> - Textured Bronze <b>TW</b> - Textured White  <b>RAL or Custom Match</b> - Consult Factory	<b>41K</b> - 4100K Color Temp. <b>35K</b> - 3500K Color Temp. <b>30K</b> - 3000K Color Temp. (Standard For FT Lamping) <b>27K</b> - 2700K Color Temp. (Standard For QE Lamps) (Not Available For FT Lamping) <b>F</b> - Fused <b>EBW</b> - Integral Emergency Battery (2x39W Max)** <b>MSI</b> - Steinel HFLUM2-WR Internal Motion Sensor <b>MSP</b> - Program Start Ballast (Recommended for Motion Sensor) ***

REPLACEMENT PARTS	PART NO.
White Acrylic Lens	3052260

We reserve the right to revise the design or components of any product due to parts availability or change in UL standards, without assuming any obligation or liability to modify any products previously manufactured, and without notice.

NOTES
<b>**Emergency Battery Options (2x39W Maximum)</b> Initial light output in Emergency mode will last for a minimum of 90 minutes. 1 lamp wired unless ordered otherwise. The following are suitable for indoor and damp locations. Please refer to Bodine's specification sheet <b>EBW:</b> Bodine's B94G (Electronic) - Temperature Rating (Ambient) 32 F - 131 F <b>EBR:</b> Bodine's B94CG (Electronic) - Temperature Rating (Ambient) 32 F - 122 F



\*\*\* For Electronic Wattage Fixtures Being Used in Conjunction With an Occupancy Sensor (Either Provided by us, or Your Own System), a Program Start Ballast is Recommended in Order to Maximize Lamp Life.