

# DIAMONDHEAD HZP 36"

Architectural Indoor

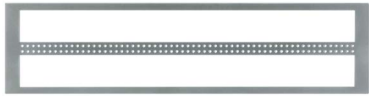


|           |      |
|-----------|------|
| PROJECT:  |      |
| TYPE:     |      |
| PO#:      | QTY: |
| COMMENTS: |      |



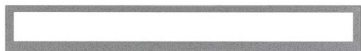
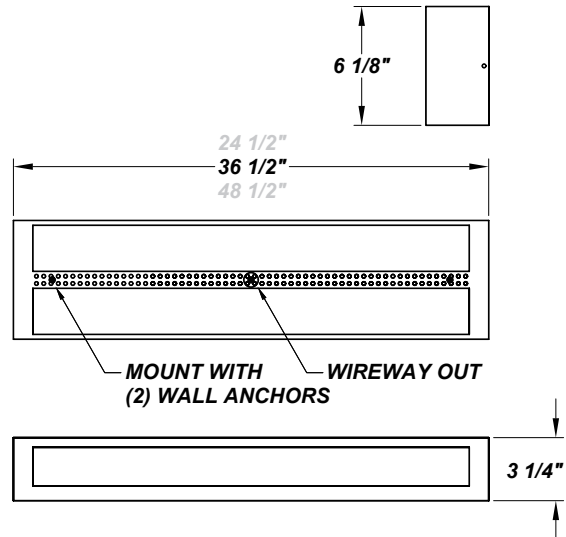
## FEATURES

- Steel Housing w/ Swedish Steel Powder Coat Finish
- Steel Mounting Pan w/ Hi-Reflectance White Powder Coat Finish
- Luminous White Acrylic Panels
- Steel Reflector w/ Hi-Reflectance White Powder Coat Finish
- Mounts Directly to Surface w/ Two Wall Anchors (Not Included)
- ADA Compliant
- CSA Listed Damp Location
- Emergency Battery Available



## LINE DRAWING

LINE DRAWING NOT TO SCALE



## FINISHES

|                |                |                 |                |                |      |
|----------------|----------------|-----------------|----------------|----------------|------|
| Antique Copper | Antique Silver | Bronze Mist     | Matte Silver   | Metallic Black | Sand |
|                |                |                 |                |                |      |
| Swedish Steel  | Textured Black | Textured Bronze | Textured White |                |      |
|                |                |                 |                |                |      |

For RAL Colors & Custom Match - Contact Teron Lighting Inc.

# DIAMONDHEAD HZP 36"

Architectural Indoor



Fixture Core

|           |      |
|-----------|------|
| PROJECT:  |      |
| TYPE:     |      |
| PO#:      | QTY: |
| COMMENTS: |      |

| PRODUCT CODE           | SOURCE/WATTAGE                                                                                          | VOLTAGE                    | DIMMING BALLAST       |
|------------------------|---------------------------------------------------------------------------------------------------------|----------------------------|-----------------------|
| DD36 - Diamondhead 36" | <b>225E</b> - (2) 25W T8<br><b>221E</b> - (2) 21W T5<br><b>239E-HO</b> - (2) 39W T5 HO<br>(High-Output) | <b>120V</b><br><b>277V</b> | <b>Not Applicable</b> |
| ORDER INFO             |                                                                                                         |                            |                       |
| DD36                   | 225E                                                                                                    | 120V                       | Not Applicable        |

Example ^ (may not represent a manufacturable product)

Aesthetics & Options

| TRIM       | FINISH                                                                                                                                                                                                                                                                                               | COLOR TEMP            | OPTIONS                                                                                                                                                          |
|------------|------------------------------------------------------------------------------------------------------------------------------------------------------------------------------------------------------------------------------------------------------------------------------------------------------|-----------------------|------------------------------------------------------------------------------------------------------------------------------------------------------------------|
| HZP        | <b>AC</b> - Antique Copper<br><b>AS</b> - Antique Silver<br><b>BT</b> - Bronze Mist<br><b>SM</b> - Matte Silver<br><b>MB</b> - Metallic Black<br><b>SN</b> - Sand<br><b>SW</b> - Swedish Steel (Standard)<br><b>TB</b> - Textured Black<br><b>BZ</b> - Textured Bronze<br><b>TW</b> - Textured White | <b>Not Applicable</b> | <b>DIM</b> - Dimming Ballast<br>(225E Only)<br><b>EBR</b> - Remote Mount Battery<br>(Field Installed)<br><b>F</b> - Fused<br><b>TP</b> - Tamper Resistant Screws |
| ORDER INFO |                                                                                                                                                                                                                                                                                                      |                       |                                                                                                                                                                  |
| HZP        | AC                                                                                                                                                                                                                                                                                                   | Not Applicable        | DIM                                                                                                                                                              |

Example ^ (may not represent a manufacturable product)

| REPLACEMENT PART                   | PART NO | NOTES |
|------------------------------------|---------|-------|
| 36" White Acrylic Front Lens Panel | 3028260 |       |
| 36" White Acrylic Side Lens Panel  | 3028160 |       |

Don't see the configuration you are looking for?  
Call us today at (513) 858-6004



**TERONLIGHTING.COM**  
 33 DONALD DR, FAIRFIELD, OH 45014  
 P: 513.858.6004 F: 513.858.6038  
 E: SALES@TERONLIGHT.COM



We reserve the right to revise the design components of any product due to parts availability or change in UL standards, without assuming any obligation or liability to modify any products previously manufactured, and without notice.