

# BIRDIE POLY BFP RD GRL LED

Architectural Outdoor



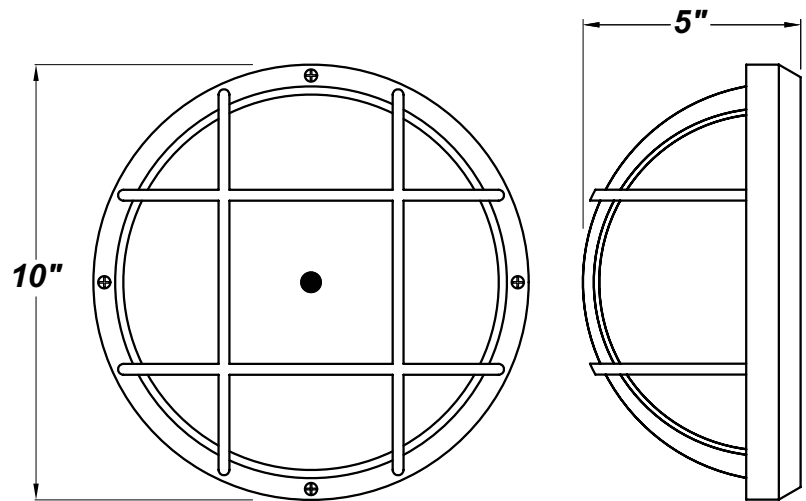
PROJECT:	
TYPE:	
PO#:	QTY:
COMMENTS:	

## FEATURES

- White or Black Polycarbonate Housing and Fascia
- Aluminum Back Pan w/ Powder Coat Finish
- Frosted White Polycarbonate Lens
- Ambient Operating Temperature -40° C (-40° F) to 40° C (105° F)
- Constant Current at 700 Milliamps
- UL Class 2 Driver - Power Factor >.90
- Thermal Protected LED Array
- Wall or Ceiling Mount
- LED Light Fixture
- Mounting Hardware Included
- UL Listed Wet Location
- Vandal Resistant

## LINE DRAWING

LINE DRAWING NOT TO SCALE



## FINISHES

For RAL Colors  
& Custom  
Match -  
Contact Teron  
Lighting Inc.

# BIRDIE POLY BFP RD GRL LED

Architectural Outdoor



Fixture Core

PROJECT:	
TYPE:	
PO#:	QTY:
COMMENTS:	

PRODUCT CODE	SOURCE/WATTAGE	VOLTAGE	DIMMING DRIVER
<b>BER</b> - Birdie Poly BFP RD LED	<b>L18.0</b> - 22W @ 700 Constant Current Driver	<b>120V</b> <b>277V</b> (50 / 60Hz)	<b>Not Applicable</b>
ORDER INFO			
BER	L18.0	120V	Not Applicable

Example ^ (may not represent a manufacturable product)

Aesthetics & Options

TRIM	FINISH	COLOR TEMP	OPTIONS
<b>GRL</b>	<b>BK</b> - Black Polycarbonate <b>WH</b> - White Polycarbonate (Standard)	<b>40K</b> - 4000K Color Temp	<b>Not Applicable</b>
ORDER INFO			
GRL	BK	40K	Not Applicable

Example ^ (may not represent a manufacturable product)

PROD	SOURCE	40K SPECS			
<b>BER</b>	L18.0	<ul style="list-style-type: none"> <li>40K - 4000K Color Temp</li> <li>1824 LED Source Lumens</li> <li>82 LED Source Lumens Per Watt</li> </ul>			

REPLACEMENT PART	PART NO	NOTES
White Polycarbonate Lens	3400760	
Birdie Poly Round White GRL Fascia	5510602	
Birdie Poly Round Black GRL Fascia	5510601	

Don't see the configuration you are looking for?  
Call us today at (513) 858-6004



**TERONLIGHTING.COM**  
33 DONALD DR, FAIRFIELD, OH 45014  
P: 513.858.6004 F: 513.858.6038  
E: SALES@TERONLIGHT.COM



We reserve the right to revise the design components of any product due to parts availability or change in UL standards, without assuming any obligation or liability to modify any products previously manufactured, and without notice.