

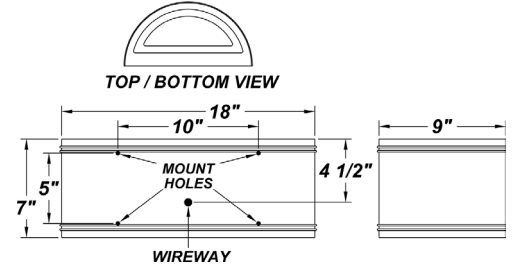
CORNERSTONE W LED



| |
|--------------|
| PROJECT : |
| TYPE : |
| ORDERING # : |
| COMMENTS : |

FEATURES

- Die-Cast Aluminum Housing w/ Textured Black Polyester Powder Coat Finish
- Clear Tempered Glass Diffusers
- Constant Voltage Modules
- Thermal Compensation Technology Ensures Longer LED Lifetime, Which is Ideal For Fixtures Being Placed in Area With Fluctuating or Higher Ambient Temperatures
- 120V - 277V
- Mounts Direct to Flat Surface w/ Two #8 Wall Anchors (Not Included)
- Surge Protector
- Integral Emergency LED Driver Available
- CSA Listed Wet Location



ORDERING INFORMATION

Example : (CRNW - L212.3 - 120-277V - CGL - TB - 50K)

Textured Black is Standard Finish

| | | | | | |
|------|--|--|--|--|--|
| CRNW | | | | | |
|------|--|--|--|--|--|

| PRODUCT | SOURCE/WATTAGE | VOLTAGE | DIFFUSER | FINISH | OPTIONS |
|----------------------|---|--|---|--|--|
| Cornerstone W | L112.3 - (4) 3.066W LED Modules - (One Side Illuminated) - (1) 20 Watt Driver - Must Order w/ UL or DL Option | 120V - 277V Please See "Options / Specs" Column For Voltage Specifications | CGL - Clear Glass Lens (Standard) | TB - Textured Black SM - Matte Silver AC - Antique Copper AS - Antique Silver BT - Bronze Mist CP - Copper SN - Sand SW - Swedish Steel BZ - Textured Bronze TW - Textured White RAL Colors or Custom Match - Consult Factory | 30K - 3000K Color Temp. |
| | L212.3 - (8) 3.066W LED Modules - (Four LED Modules Per Side) - (1) 40 Watt Driver | | | | 35K - 3500K Color Temp. |
| | L124.5 - (8) 3.066W LED Modules - (One Side Illuminated) - (1) 40 Watt Driver - Must Order w/ UL or DL Option | | | | 40K - 4000K Color Temp. |
| | L224.5 - (16) 3.066W LED Modules - (Eight LED Modules Per Side) - (2) 40 Watt Drivers | | | | 50K - 5000K Color Temp. |
| | 3.066W LED Modules - (LM80 Standard) **40,000 Hours(L70) More Wattages Available on Page 2 | | | | PCL120 - Photocell 120V PCL277 - Photocell 277V DL - Downlight Only (L112.3 Only) UL - Uplight Only (L112.3 Only) EB - Will light 4 LED Modules on Down Side of Fixture (Not Available For L224.5) Please Note: 120V or 277V Must Be Specified When Ordering The EB Option |

REPLACEMENT PARTS

PART NO.

| | |
|------------------------------|---------|
| Replacement Clear Glass Lens | 37028 |
| Replacement Black Glass Lens | 3702824 |

NOTES

The L216.8 Wattage Was Tested in Accordance With IES Standards Utilizing Absolute Photometry Per LM-79-08 at the Standard UL Temperature of 25° C (77° F)

**Definition of 40,000 hours: Lifetime Rating is Based on Lamp Manufacturers' LM80 Test Results Which Utilized an Exponentially Decaying Model, a Standard Used by The Department of Energy, as Well as by Other Manufacturers.

We reserve the right to revise the design or components of any product due to parts availability or change in UL standards, without assuming any obligation or liability to modify any products previously manufactured, and without notice.



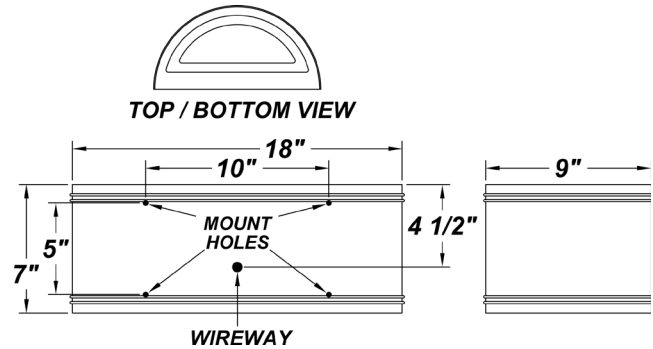
CORNERSTONE W LED



| |
|--------------|
| PROJECT : |
| TYPE : |
| ORDERING # : |
| COMMENTS : |

FEATURES

- Die-Cast Aluminum Housing w/ Textured Black Polyester Powder Coat Finish
- Clear Tempered Glass Diffusers
- Thermal Compensation Technology Ensures Longer LED Lifetime, Which is Ideal For Fixtures Being Placed in Area With Fluctuating or Higher Ambient Temperatures
- 120V - 277V
- Mounts Direct to Flat Surface w/ Two #8 Wall Anchors (Not Included)
- Integral Emergency LED Driver Available
- Surge Protector
- CSA Listed Wet Location



ORDERING INFORMATION

Example : (CRNW - L115.3 - 120-277V - CGL - ZE12V - TB - 50K - DL)

Textured Black is Standard Finish

| PRODUCT | SOURCE/WATTAGE | VOLTAGE | DIFFUSER | DIMMING OPTIONS | FINISH | OPTIONS |
|----------------------|--|--------------------|--|--|--|--|
| Cornerstone W | L115.3 - (5) 3.066 LED Modules - (One Side Illuminated) - (Downlight Only) - (1) 26 Watt Driver - Must Order w/ UL or DL Option) L221.5 - (14) 3.066W LED Modules - (Eight LED Modules Down) - (Six LED Modules Up) - (1) 66 Watt Driver 4.2W LED Modules - (LM80 Standard) **40,000 Hours(L70) L218.1 - 18.1W LED Strip(s) - (Two LED Strips Per Side) - (1) 40 Watt Driver L70 life time for 50,000hr Lumen Specifications Available on Page 3 | 120V - 277V | CGL - Clear Glass Lens (Standard) | ZE12V - 12V Constant Current Dimming Electronic Driver (For L115.3 & L221.5) (Dimmable 0 - 10V) ZE1100 - 1100mA Low Voltage Dimming Electronic Driver (For L218.1) (Dimmable 0 - 10V) | TB - Textured Black SM - Matte Silver AC - Antique Copper AS - Antique Silver BT - Bronze Mist CP - Copper SN - Sand SW - Swedish Steel BZ - Textured Bronze TW - Textured White RAL Colors or Custom Match - Consult Factory | 30K - 3000K Color Temp. 35K - 3500K Color Temp. 40K - 4000K Color Temp. 50K - 5000K Color Temp. PCL120 - Photocell 120V PCL277 - Photocell 277V DL - Downlight Only (L115.3 Only) UL - Uplight Only (L115.3 Only) EB - Will light 4 LED Modules on Down Side of Fixture Please Note: 120V or 277V Must Be Specified When Ordering The EB Option |

NOTES

**Definition of 40,000 hours: Lifetime Rating is Based on Lamp Manufacturers' LM80 Test Results Which Utilized an Exponentially Decaying Model, a Standard Used by The Department of Energy, as Well as by Other Manufacturers.

REPLACEMENT PARTS PART NO.

| | |
|------------------------------|---------|
| Replacement Clear Glass Lens | 37028 |
| Replacement Black Glass Lens | 3702824 |

We reserve the right to revise the design or components of any product due to parts availability or change in UL standards, without assuming any obligation or liability to modify any products previously manufactured, and without notice.





| |
|--------------|
| PROJECT : |
| TYPE : |
| ORDERING # : |
| COMMENTS : |

| PRODUCT | SOURCE/WATTAGE | 30K SPECIFICATIONS |
|------------------|---|--|
| Cornerstone W | L112.3 - (4) 3.066W LED ThermAdjust Modules (One Side Illuminated) (Downlight Only) - Voltage Regulated at 12 Volts by Driver - 16W Input | <u>L112.3 - Four 3.066W LED Modules</u> 30K - 3000K Color Temp. - 9 LEDs Per Module - SW30Bin, Color Temp = 3000K Nominal - 80 CRI typ. (75 CRI min) 1264 LED Source Lumens - 79 LED Source Lumens Per Watt |
| | L212.3 - (8) 3.066W LED ThermAdjust Modules (Four LED Modules Per Side) - Voltage Regulated at 12 Volts by Driver - 32W Input | <u>L212.3 & L124.5 - Eight 3.066W LED Modules</u> 30K - 3000K Color Temp. - 9 LEDs Per Module - SW30Bin, Color Temp = 3000K Nominal - 80 CRI typ. (75 CRI min) 2496 LED Source Lumens - 78 LED Source Lumens Per Watt |
| | L124.5 - (8) 3.066W LED ThermAdjust Modules (One Side Illuminated) (Downlight Only) - Voltage Regulated at 12 Volts by Driver - 32W Input | |
| | L224.5 - (16) 3.066W LED ThermAdjust Modules (Eight LED Modules Per Side) - Voltage Regulated at 12 Volts by Driver - 64W Input | <u>L224.5 - Sixteen 3.066W LED Modules</u> 30K - 3000K Color Temp. - 9 LEDs Per Module - SW30Bin, Color Temp = 3000K Nominal - 80 CRI typ. (75 CRI min) 5056 LED Source Lumens - 79 LED Source Lumens Per Watt |
| | L115.3 - (5) 3.066W LED ThermAdjust Modules (One Side Illuminated) (Downlight Only) - 0-10V Dimming Driver - Voltage Regulated at 12 Volts by Driver - 20W Input | <u>L115.3 - Five 3.066W LED Modules</u> 30K - 3000K Color Temp. - 9 LEDs Per Module - SW30Bin, Color Temp = 3000K Nominal - 80 CRI typ. (75 CRI min) 1580 LED Source Lumens - 79 LED Source Lumens Per Watt |
| | L221.5 - (14) 3.066W LED ThermAdust Modules - (Eight LED Modules Down) - (Six LED Modules Up) - 0-10V Dimming Driver - Voltage Regulated at 12 Volts by Driver - 56W Input | <u>L221.5 - Fourteen 3.066W LED Modules</u> 30K - 3000K Color Temp. - 9 LEDs Per Module - SW30Bin, Color Temp = 3000K Nominal - 80 CRI typ. (75 CRI min) 4424 LED Source Lumens - 79 LED Source Lumens Per Watt |
| | L218.1 - 18.1W LED Strip(s) - (Two LED Strips Per Side) - 0-10V Dimming Driver - Constant Current 1100 Milliamps Driver - 43.7W Input | <u>L218.1</u> 30K - 3000K Color Temp. - 34 fV, Color Temp = 3000K Nominal - 3458 LED Source Lumens - 79.1 LED Source Lumens Per Watt |

