

ASHWORTH

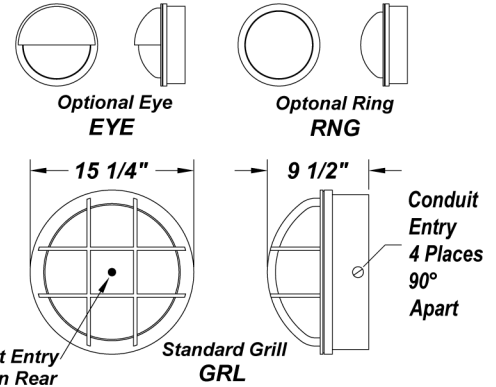


COMPACT FLUORESCENT & HID

PROJECT :
TYPE :
ORDERING # :
COMMENTS :

FEATURES

- 380 Grade Die-Cast Aluminum Housing w/ Textured Black Polyester Powder Coat Finish
- Die-Cast Aluminum Grill (Standard) w/ Textured Black Polyester Powder Coat Finish
- Clear Prismatic Ribbed Molded Borosilicate Glass Lens
- Fully Silicone Gasketed Channel
- Lamps Included
- Stainless Steel Zinc Coated Screws
- Cast-In Template
- Mounts Direct to Flat Surface w/Four #8 Wall Anchors (Not Included)
- Integral EM Battery Available
- Fluorescent Wattages are ETL Listed Wet Location For Wall or Ceiling Mount
- MH Wattages are CSA Listed Wet Location For Wall or Ceiling Mount With The Following Restrictions:
(For Wall Mount - No Restrictions)
(For Ceiling Mount, no Restrictions up to 100W, For 150W, Either a Photocell or 50W 120V Quartz Lamp May be Added, But Not Both)



ORDERING INFORMATION

Example : (AH50MH - MTH - GRL - TB)

Textured Black is Standard Finish

PRODUCT	SOURCE/WATTAGE	VOLTAGE	FASCIA	FINISH	OPTIONS
Ashworth	AH50MH - 50W MH AH70MH - 70W MH AH100MH - 100W MH AH150MH - 150W MH AH50 - 50W HPS AH70 - 70W HPS AH100 - 100W HPS AH150 - 150W HPS AH226X - (2) 26W TBX AH232X - (2) 32W TBX AH242X - (2) 42W TBX	<u>METAL HALIDE (MH)</u> 120V - 120V HPF 120H - MT HPF (Wired 120V) MTH - MT HPF (Wired 277V) 347V - 347V HPF <u>HPS</u> 120V - 120V HPF 120H - MT HPF (Wired 120V) MTH - MT HPF (Wired 277V) (MT - Multi-Tap) <u>FLUORESCENT (F)</u> 120E - 120V Electronic 277E - 277V Electronic 347E - 347V Electronic	GRL - Ashworth Grill (Standard) EYE - Ashworth Eye RNG - Ashworth Ring	SM - Matte Silver TB - Textured Black AC - Antique Copper AS - Antique Silver BT - Bronze Mist CP - Copper SN - Sand SW - Swedish Steel BZ - Textured Bronze TW - Textured White RAL Colors or Custom Match - Consult Factory	41K - 4100K Color Temp.* 35K - 3500K Color Temp.* 27K - 2700K Color Temp.* (Standard) F - Fused PCL120 - Photocell 120V PCL277 - Photocell 277V TP - Tamper Resistant Screws DIM - Dimming Ballast* (Electronic Only) QRS - Quartz Restrike (DC/Bay - Lamp Included) QRZ - Quartz Socket Only EBW / EBC - Integral Emergency Battery** (Electronic Only) EBR - Remote Mount Battery (Field Installed)* W2L - Wire 2 Lamps to Integral Emergency Battery (EBW Only) (2x18W Maximum) MSP - Program Start Ballast (Recommended for Motion Sensor)***

REPLACEMENT PARTS

PART NO.

Clear Prismatic Glass Lens	37042
GRL Fascia	5505599
EYE Fascia	5506599
RNG Fascia	5510999
(Please Specify Color of Fascia When Ordering)	

NOTES

***Fluorescent Only**

****Emergency Battery Options**

Initial light output in Emergency mode will last for a minimum of 90 minutes. 1 lamp wired unless ordered otherwise. The following are suitable for indoor and damp locations. Please refer to Bodine's specification sheet

- EBW: Bodine's B94G (Electronic) - Temperature Rating (Ambient) 32° F - 131° F
- EBC: Bodine's B4CF1 (Electronic) - Temperature Rating (Ambient) -4° F - 131° F
- EBR: Bodine's B94CG (Electronic) - Temperature Rating (Ambient) 32° F - 122° F

*** For Electronic Wattage Fixtures Being Used in Conjunction With an Occupancy Sensor (Either Provided by us, or Your Own System), a Program Start Ballast is Recommended in Order to Maximize Lamp Life.

We reserve the right to revise the design or components of any product due to parts availability or change in UL standards, without assuming any obligation or liability to modify any products previously manufactured, and without notice.

ARRA 2009



BUY AMERICA ACT

