

ARCHITECTURAL OUTDOOR

ALLEGRO W OMG



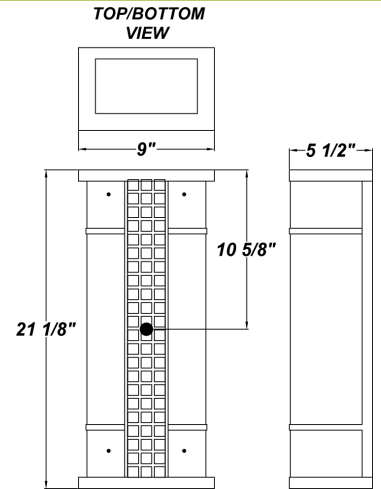
Textured Black
Finish Shown

COMPACT FLUORESCENT

PROJECT :
TYPE :
ORDERING # :
COMMENTS :

FEATURES

- Aluminum Housing w/ Textured Black Polyester Powder Coat Finish
- Aluminum End Caps w/ Textured Black Polyester Powder Coat Finish
- Aluminum Die-Cut Decorative Accent Strip w/ Textured Black Polyester Powder Coat Finish
- Aluminum Mount Pan w/ Hi-Reflectance White Powder Coat Finish
- Luminous White Acrylic Wrap-Around Diffuser
- Luminous White Acrylic Top and Bottom Lens Panels
- Mounts Over 4" Junction Box w/ Easy-hang Wall Mounting Plate (Included)
- Lamps Included
- Wet Location For Vertical or Horizontal Mounting



ORDERING INFORMATION

Example : (ALLW - OMG - F227E - 120E - WAL - TB - 35K)

Textured Black is Standard Finish

PRODUCT	SOURCE/WATTAGE	VOLTAGE	DIFFUSER	FINISH	OPTIONS
Allegro W OMG	F227E - (2) 27W 4-Pin Biax F139E - (1) 39W 4-Pin Biax F239E - (2) 39W 4-Pin Biax	120E - Electronic 277E - Electronic	WAL - White Acrylic End Lens (Standard)	SM - Matte Silver TB - Textured Black AC - Antique Copper AS - Antique Silver BT - Bronze Mist CP - Copper SN - Sand SW - Swedish Steel BZ - Textured Bronze TW - Textured White RAL Colors or Custom Match - Consult Factory	41K - 4100K Color Temp. (Standard) 35K - 3500K Color Temp. 30K - 3000K Color Temp. F - Fused EBR - Remote Mount Battery (Field Installed) (See Below) EBW - Integral Emergency Battery TP - Tamper Resistant Screws MSP - Program Start Ballast (Recommended for Motion Sensor) ***

REPLACEMENT PARTS

PART NO.

White Acrylic Lens Assembly 9801460

We reserve the right to revise the design or components of any product due to parts availability or change in UL standards, without assuming any obligation or liability to modify any products previously manufactured, and without notice.

NOTES

*Fluorescent Only

**Emergency Battery Options

Initial light output in Emergency mode will last for a minimum of 90 minutes. 1 lamp wired unless ordered otherwise. The following are suitable for indoor and damp locations. Please refer to Bodine's specification sheet

EBW:

Bodine's B100LP (Electronic) - Temperature Rating (Ambient) 32° F - 122° F

EBR:

Bodine's B94CG (Electronic) - Temperature Rating (Ambient) 32° F - 122° F

ARRA 2009



BUY AMERICA ACT



*** For Electronic Wattage Fixtures Being Used in Conjunction With an Occupancy Sensor (Either Provided by us, or Your Own System), a Program Start Ballast is Recommended in Order to Maximize Lamp Life.