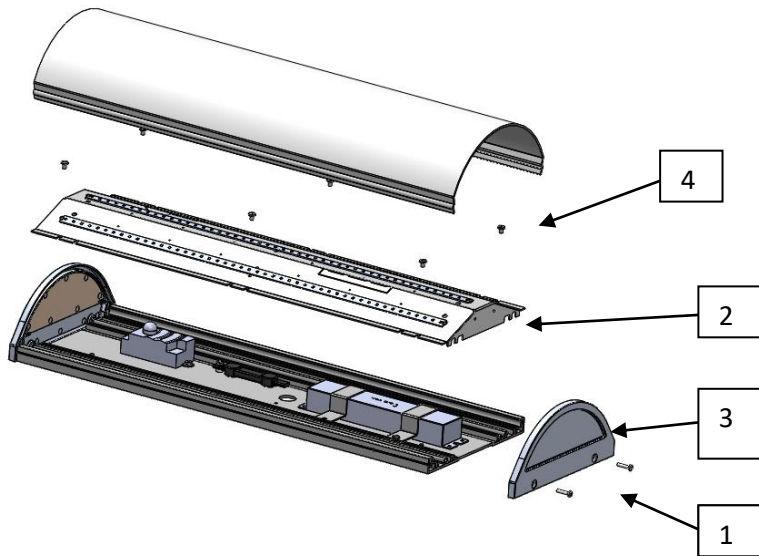




**INSTALLATION & MAINTENANCE INSTRUCTIONS**  
**FOR THE**  
**GUARDIAN 2FT SERIES - LED**  
*Wall Mounted Luminaire      Part No. 76142 REV.3*

**WARNING: DISCONNECT POWER PRIOR TO INSTALLATION OR SERVICING OF FIXTURE**

**NOTE: THIS PRODUCT MUST BE INSTALLED IN ACCORDANCE WITH THE APPLICABLE LOCAL & NATIONAL ELECTRICAL CODES BY A PERSON FAMILIAR WITH THE CONSTRUCTION AND FAMILIAR WITH THE OPERATION OF THE PRODUCT AND HAZARDS INVOLVED.**



**INSTALLATION**

- 1. Remove any excess packing from the fixture.**
- 2. This fixture is designed to be mounted directly to wall using wall anchors. Supplied by customer.**
- 3. Open the housing assembly by removing one of the end covers (3) in Figure 1 by removing the 2 screws (1) in Figure 1.**
- 4. Remove optional fascia by removing 4 screws, 2 on each side of fixture.**
- 5. Take off LED mounting plate (2) in Figure 1 by removing 6 screws (4) in Figure 1 Located on the sides of the LED mounting plate.**
- 6. Line up the back of the housing in desired location, completely covering junction box and mount securely to the wall with the wall anchors.**
- 7. Complete the wiring to the power source and ground. The Black as Line; White as Common; Bare/Green as Ground. Wire connections to be made inside of housing.**
- 8. Reassemble the housing by reattaching LED mounting plate, lens, and optional fascia.**
- 9. Reattach end cap the lens and fascia if supplied.**
- 10. Outdoor wall fixtures must be caulked with a suitable waterproof sealant across the top, and at least "half way" down each side of the fixture to properly seal it to the mounting surface. A small space should be open at the bottom for excess moisture runoff.**

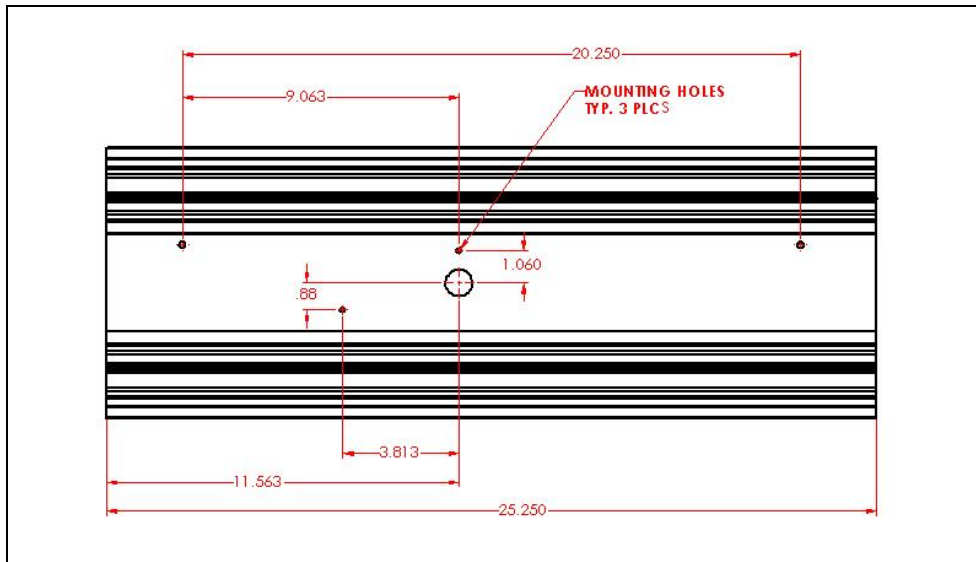
**NOTICE:**  
Failure to properly caulk around perimeter of the mounting plate or pan on an outdoor fixture when mounted to a wall or ceiling, could lead to water and /or electrical damage and is not covered under the warranty.

**MAINTENANCE**

**DO NOT use cleansers containing bleach.**

**The metal portion of the fixture can be wiped clean as needed using a mild soap solution.**

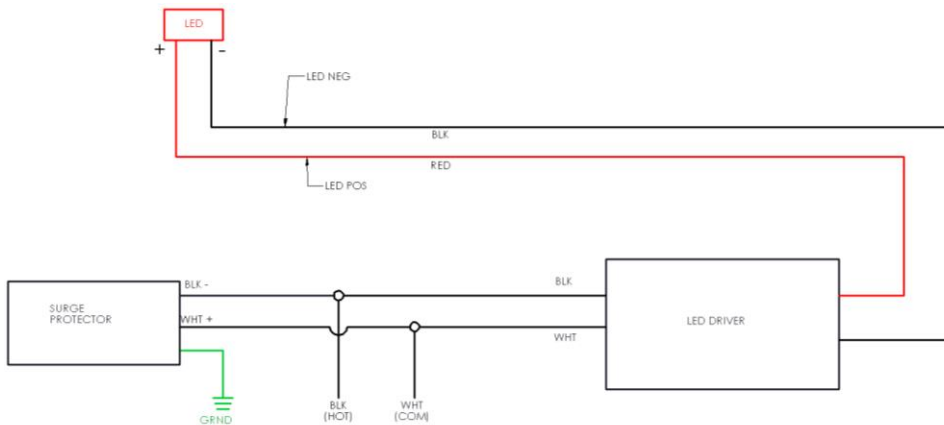
**ATTENTION: Avoid moving any exposed wires. If any wires are accidentally disconnected, call a professional to repair.**



**NOTE: Verify the mounting hole dimensions before installing the fixture.**



**IF EQUIPPED WITH A PHOTOCELL  
ONLY REMOVE THE TOP END COVER  
TO INSTALL**



**WIRING DIAGRAM WITH SURGE PROTECTOR**