

# TIGER

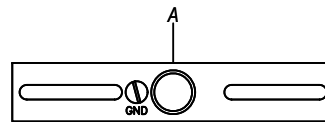
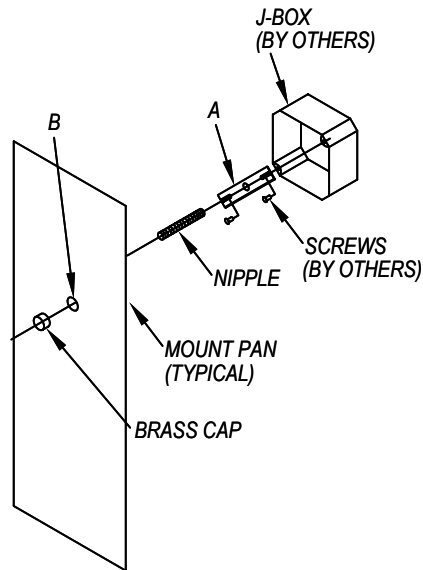


76071

**NOTE: THIS PRODUCT MUST BE INSTALLED IN ACCORDANCE WITH THE APPLICABLE INSTALLATION CODE BY A PERSON FAMILIAR WITH THE CONSTRUCTION AND OPERATION OF THE PRODUCT AND THE HAZARDS INVOLVED.**

## INSTALLATION

- 1] Remove any excess packing from the fixture.
- 2] Slide the lens out of the fixture and set aside.
- 3] Remove the 4 screws securing the fascia to the mount pan and set aside.
- 4] Connect the fixture leads to the supply leads. TLI stipulates the Black as Line; White as Common; Bare/Green as Ground.
- 5] For the nipple mount, attach the crossbar(A) to the j-box. Screw the nipple into the cross bar. Place the mount hole(B) over the nipple, and secure with the brass cap from the included mount kit.
- 6] Check the re-lamp label to ensure that the lamp is the specified wattage.
- 7] Reverse steps 1 through 3 to re-assemble the fixture..



## MAINTENANCE

The lens should be cleaned once every 6 months. Repeat the above procedures in reverse to remove the lens. It must be washed in a mild soap solution. DO NOT use cleansers containing bleach. Re-assemble the fixture.

The metal portion of the fixture can be wiped clean as needed using a mild soap solution.

**ATTENTION:** Avoid moving any exposed wires. If any wires are accidentally disconnected, call a professional to repair.

These instructions are general to the fixture noted. Due to the numerous options, all variations may not be covered.

Installation of an electrical luminaire must be performed by a qualified professional. The fixture must be wired in accordance to all local & national electrical codes.

## MOUNT HOLE

