



INSTALLATION & MAINTENANCE INSTRUCTIONS

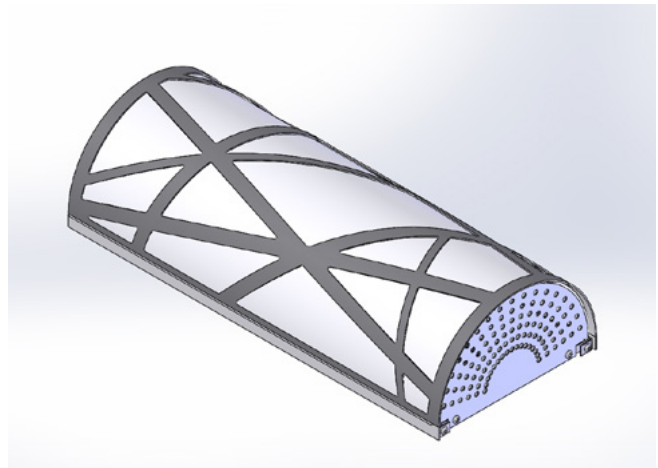
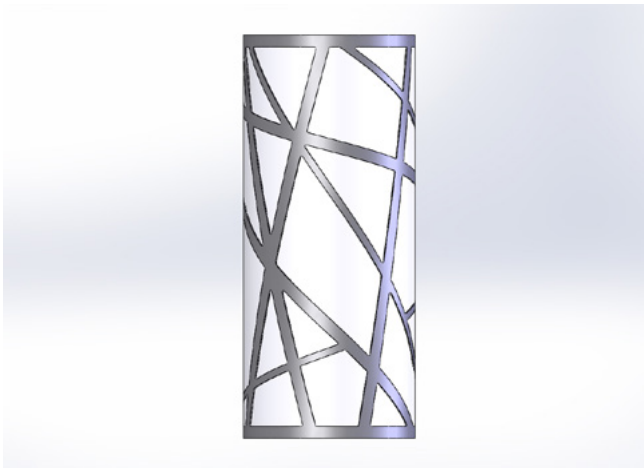
Tiger LED

WALL MOUNTED LUMINAIRE

P.N. 76071

WARNING: DISCONNECT POWER PRIOR TO INSTALLATION OR SERVICING OF FIXTURE

NOTE: THIS PRODUCT MUST BE INSTALLED IN ACCORDANCE WITH THE APPLICABLE LOCAL & NATIONAL ELECTRICAL CODES BY A PERSON FAMILIAR WITH THE CONSTRUCTION AND FAMILIAR WITH THE OPERATION OF THE PRODUCT AND HAZARDS INVOLVED.



INSTALLATION

1. Make sure the power to the area working in is shut off to avoid serious injury from electrical shock.
2. Remove any excess packing from the fixture.
3. Remove fascia and lens by removing (4) 6-32 screws.
4. (Optional) Remove top/bottom covers by removing (4) 6-32 screws.
5. Connect the fixture leads to the supply leads. TLI stipulates the Black as Line; White as Common; Bare/Green as Ground.
6. For the nipple mount, attach the crossbar to the j-box (not included). Screw the nipple into the cross bar. Place the mount holes over the nipple, and secure with the brass cap from the included mount kit.
7. Can also be mounted directly to the wall by (4) anchor screws centered over the j-box (not included). Connections must be made inside j-box.
8. (Optional) Re-attach the top/bottom covers with (4) 6-32 screws.
9. Re-assemble the fixture by reconnecting the fascia and lens with the (4) 6-32 screws.
10. Energize the fixture to check proper operation.

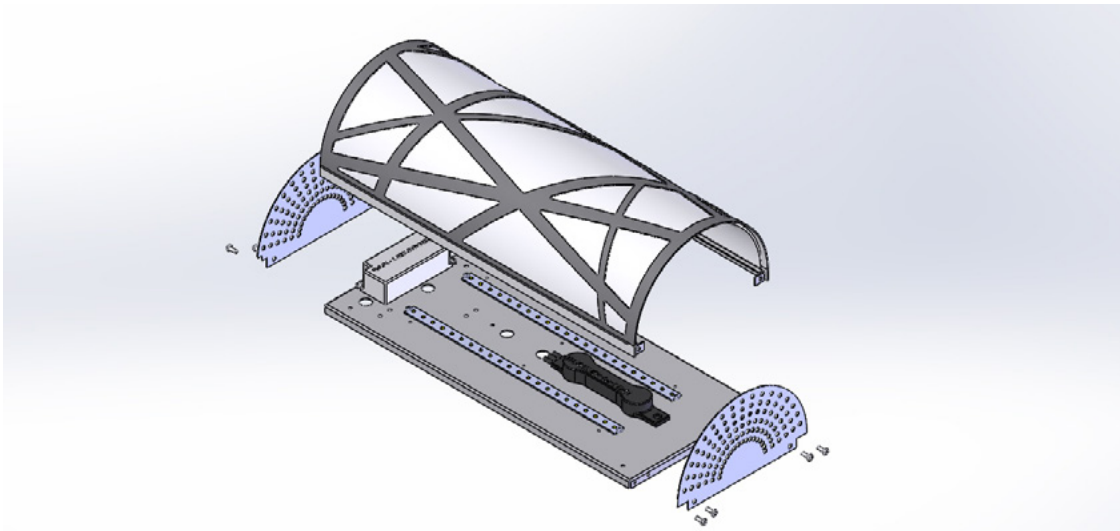
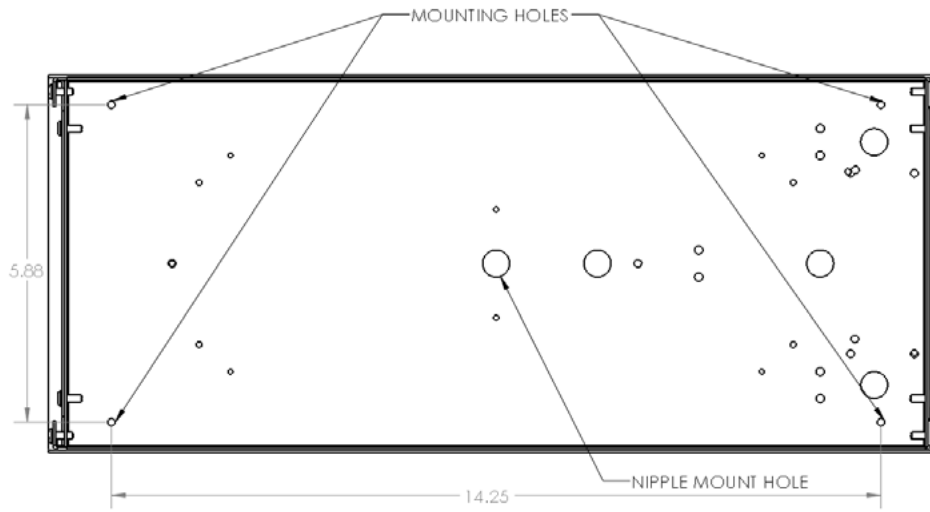
MAINTENANCE

DO NOT use cleansers containing bleach.

The metal portion of the fixture can be wiped clean as needed using a mild soap solution.

ATTENTION

Avoid moving any exposed wires. If any wires are accidentally disconnected, call a professional to repair.



WIRING DIAGRAM

