

INSTALLATION & MAINTENANCE INSTRUCTIONS

CADDY LG

Outdoor Wall Lighting



Echelon
COLLECTION

TERON
SERIES

76065

INSTALLATION

- 1] Remove any excess packing from the fixture.
- 2] Remove the door from the housing and set aside.
- 3] The Caddy Lg is designed to be mounted directly to the wall by using (3) 1/4" anchor bolts, and the bolt pattern shown at the right.
- 4] Drill into the housing surface according to the pattern shown. Mount the fixture securely to the wall, and pull the supply leads into the housing.
- 5] Connect the fixture leads to the supply leads. TLI stipulates the Black as Line; White as Common; Bare/Green as Ground.
- 6] Check the re-lamp label to ensure that the lamp is the specified wattage. HID Lamps should be hand tight. For best operation, screw in the HID lamp, remove, & re-tighten.
- 7] Re-attach the door to the housing and secure the screws.
- 8] Outdoor wall fixtures must be caulked with a suitable waterproof sealant across the top, and at least 2" down each side of the fixture to properly seal it to the mounting surface. A small space should be open at the bottom for excess moisture runoff.

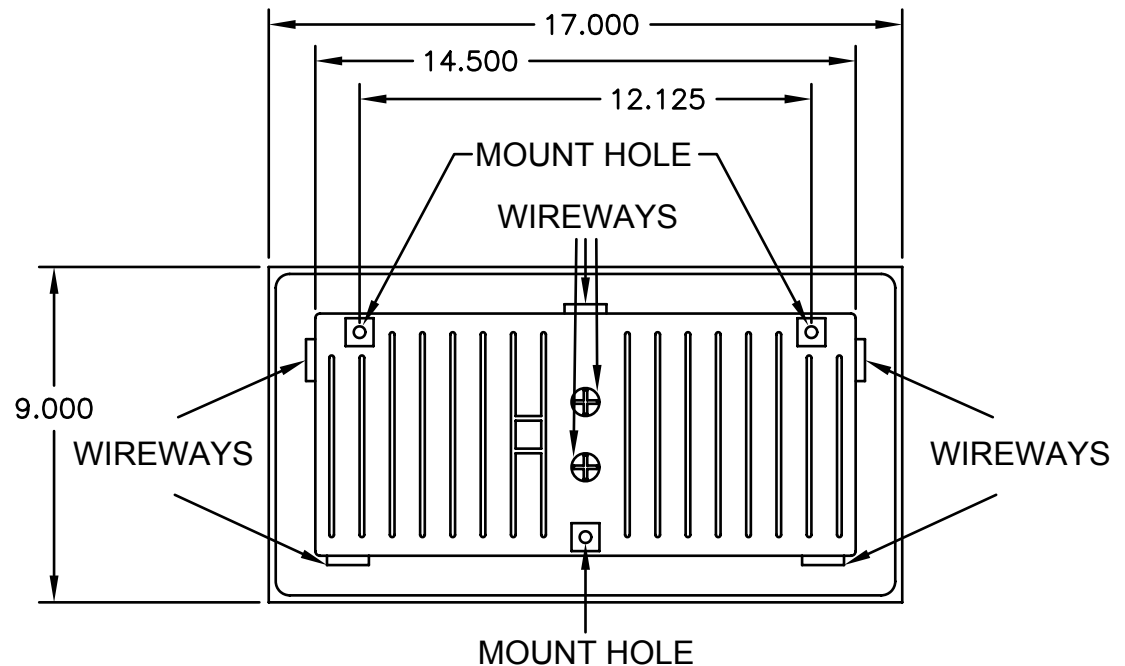
MAINTENANCE

The lens should be cleaned once every 6 months. Repeat the above procedures in reverse to remove the lens. It must be washed in a mild soap solution. DO NOT use cleansers containing bleach. Re-assemble the fixture.

The metal portion of the fixture can be wiped clean as needed using a mild soap solution.

ATTENTION: Avoid moving any exposed wires. If any wires are accidentally disconnected, call a professional to repair.

NOTE: THIS PRODUCT MUST BE INSTALLED IN ACCORDANCE WITH THE APPLICABLE INSTALLATION CODE BY A PERSON FAMILIAR WITH THE CONSTRUCTION AND OPERATION OF THE PRODUCT AND THE HAZARDS INVOLVED.



THE CADDY LARGE MOUNTS DIRECTLY TO A WALL VIA THE THREE MOUNT HOLES, CENTERED OVER A 4" JUNCTION BOX.

These instructions are general to the fixtures noted.
Due to the numerous options, all variations may not be covered.

Installation of an electrical luminaire must be performed by a qualified professional. The fixture must be wired in accordance to all local & national electrical codes.