

## INSTALLATION & MAINTENANCE INSTRUCTIONS

BOULDERS	FIRESTONE	GOLDEN BEAR SM
BREAKERS	FURYK	LAKESIDE
FAXON	GOLDEN BEAR	THOUSAND OAKS



Echelon  
COLLECTION

TERON  
SERIES

76005

**NOTE: THIS PRODUCT MUST BE INSTALLED IN ACCORDANCE WITH THE APPLICABLE INSTALLATION CODE BY A PERSON FAMILIAR WITH THE CONSTRUCTION AND OPERATION OF THE PRODUCT AND THE HAZARDS INVOLVED.**

## INSTALLATION

1] The Ceiling Series is designed to be mounted directly to a 4" or 3" sq junction box.

2] Attach the nipple to the mount pan using the detail in Figure 1. The nipple must be set to the correct length in order for the lens to fit properly on the pan. This must be done PRIOR to connecting the supply leads.

3] Connect the fixture leads to the supply leads. TLI stipulates the Black as Line; White as Common; Bare/Green as Ground.

4] Position the pan over the J-box, and install the screws through the pan. Do not overtighten the screws.

5] Check the re-lamp label to ensure that the lamp is the specified wattage. Fluorescent lamps will not snap into incorrect lampholders.

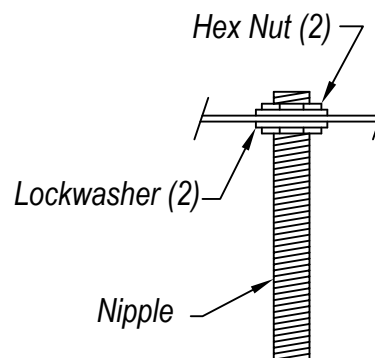


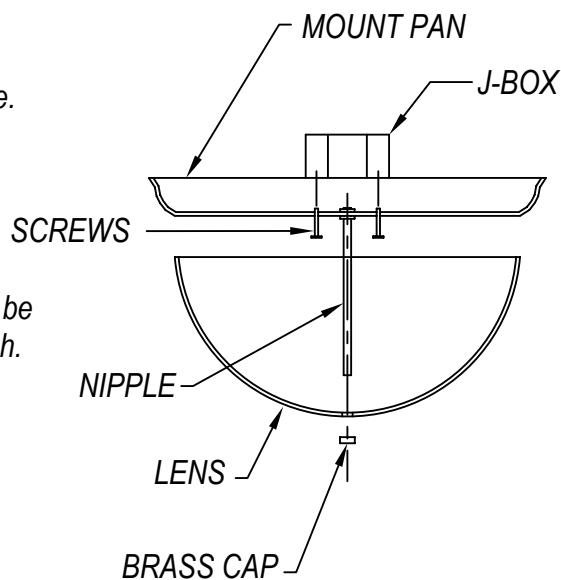
Figure 1

## MAINTENANCE

The lens should be cleaned once every 6 months. The lens panels must be washed in a mild soap solution. DO NOT use cleansers containing bleach.

The metal portion of the fixture can be wiped clean as needed using a mild soap solution.

**ATTENTION:** Avoid moving any exposed wires. If any wires are accidentally disconnected, call a professional to repair.



*These instructions are general to the fixtures noted.  
Due to the numerous options, all variations may  
not be covered.*

*Installation of an electrical luminaire must be  
performed by a qualified professional. The  
fixture must be wired in accordance to all  
local & national electrical codes.*