

VICEROY DL LED 12"

Architectural Indoor



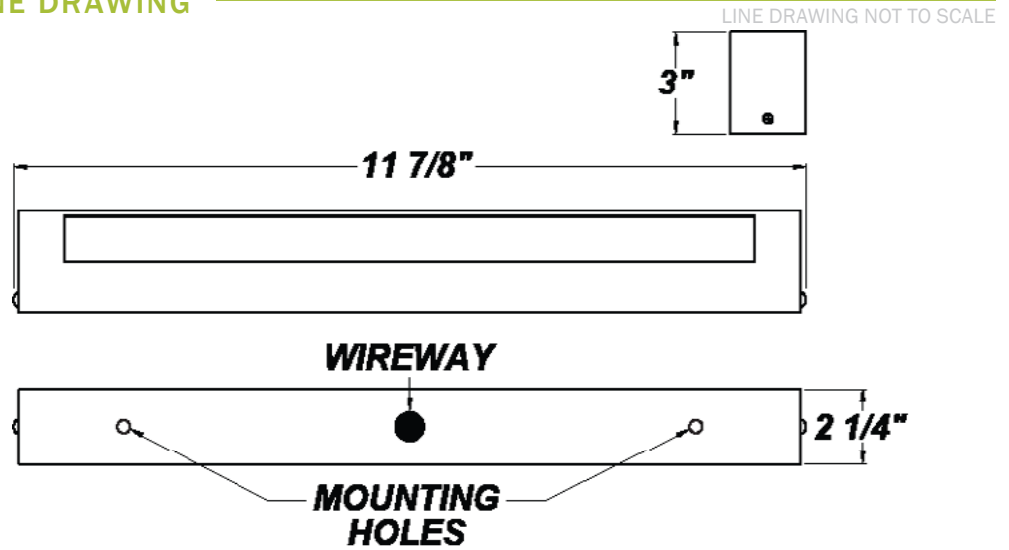
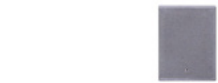
PROJECT:	
TYPE:	
PO#:	QTY:
COMMENTS:	

FEATURES

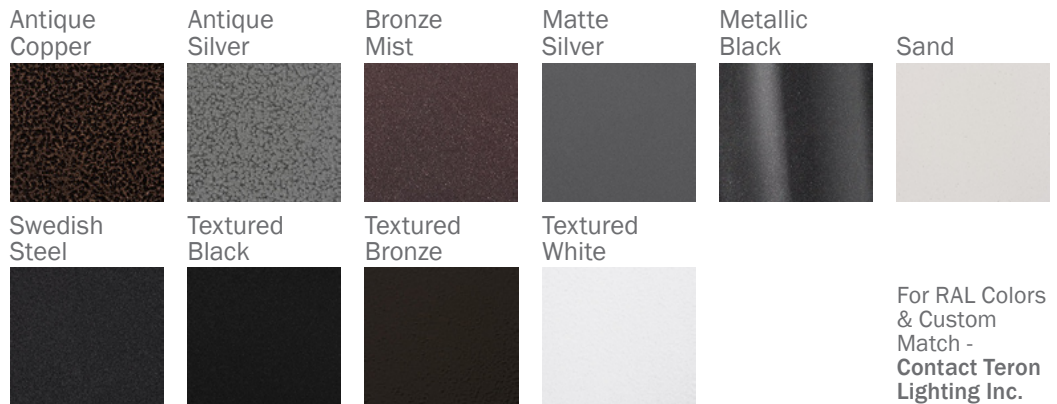
- ADA Compliant
- Clear Acrylic Outer Diffuser
- Constant Current Dimmable to 5% From 120V to 277V
- CSA Listed Damp Location For Wall or Ceiling Mount
- LED Light Fixture
- Matte White Acrylic Inner Diffuser
- Mounts Directly to Surface with Two Wall Anchors (Not Included) Over a 2" Junction Box (Not Included)
- Prepainted White Steel Mount Pan
- Steel Housing with Matte Silver Powder Coat Finish
- Triac and ELV Dimmable at 120V Only



LINE DRAWING



FINISHES



VICEROY DL LED 12"

Architectural Indoor



Fixture Core

PROJECT:	
TYPE:	
PO#:	QTY:
COMMENTS:	

PRODUCT CODE	SOURCE/WATTAGE	VOLTAGE	DIMMING DRIVER
VCY12 - Viceroy 12"	L4.5-LT150 - 4.5W @ 150mA ELV Dimming Driver L6.0-TE175 - 6W @ 175mA ELV Dimming Driver L6.8-LT200 - 6.8W @ 200mA ELV Dimming Driver	120-277V	Not Applicable
ORDER INFO			
VCY12 Example ^	L4.5-LT150	120-277V	Not Applicable

Aesthetics & Options

TRIM	FINISH	COLOR TEMP	OPTIONS
DL	AC - Antique Copper AS - Antique Silver BT - Bronze Mist BZ - Textured Bronze SM - Matte Silver (Standard) MB - Metallic Black SN - Sand SW - Swedish Steel TB - Textured Black TW - Textured Whit	40K - 4000K Color Temp 35K - 3500K Color Temp 30K - 3000K Color Temp	F - Single Fuse 120-277V JBC - 4" x 4" Junction Box Cover (Mounts to Fixture, Allowing it to be Retro-fitted Over an Existing Junction Box) TP - Tamper-Proof Screw Set
ORDER INFO			
DL Example ^	AC	40K	F

PROD	SOURCE	30K SPECS			
VCY12	L4.5	<ul style="list-style-type: none"> 30K - 3000K Color Temp 745.3 LED Source Lumens 165.6 LED Source Lumens Per Watt 			
	L6.0	<ul style="list-style-type: none"> 30K - 3000K Color Temp 869.5 LED Source Lumens 144.9 LED Source Lumens Per Watt 			
	L6.8	<ul style="list-style-type: none"> 30K - 3000K Color Temp 993.7 LED Source Lumens 146.1 LED Source Lumens Per Watt 			

REPLACEMENT PART	PART NO	NOTES
1' Lens Assembly	38114	
		Don't see the configuration you are looking for? Call us today at (513) 858-6004



TERONLIGHTING.COM
 33 DONALD DR, FAIRFIELD, OH 45014
 P: 513.858.6004 F: 513.858.6038
 E: SALES@TERONLIGHT.COM



We reserve the right to revise the design components of any product due to parts availability or change in UL standards, without assuming any obligation or liability to modify any products previously manufactured, and without notice.

VICEROY DL LED 12"

Architectural Indoor



Fixture Core

PROJECT:	
TYPE:	
PO#:	QTY:
COMMENTS:	

PRODUCT CODE	SOURCE/WATTAGE	VOLTAGE	DIMMING DRIVER
VCY12 - Viceroy 12"	L8.5-LT250 - 8.5W @ 250mA ELV Dimming Driver L9.1-TE275 - 9.1W @ 275mA ELV Dimming Driver L10.2-LT300 - 10.2W @ 300mA ELV Dimming Driver	120-277V	Not Applicable
ORDER INFO			
VCY12 Example ^	L8.5-LT250	120-277V	Not Applicable

Aesthetics & Options

TRIM	FINISH	COLOR TEMP	OPTIONS
DL	AC - Antique Copper AS - Antique Silver BT - Bronze Mist BZ - Textured Bronze SM - Matte Silver (Standard) MB - Metallic Black SN - Sand SW - Swedish Steel TB - Textured Black TW - Textured Whit	40K - 4000K Color Temp 35K - 3500K Color Temp 30K - 3000K Color Temp	F - Single Fuse 120-277V JBC - 4" x 4" Junction Box Cover (Mounts to Fixture, Allowing it to be Retro-fitted Over an Existing Junction Box) TP - Tamper-Proof Screw Set
ORDER INFO			
DL Example ^	AC	40K	F

PROD	SOURCE	30K SPECS			
VCY12	L8.5	<ul style="list-style-type: none"> 30K - 3000K Color Temp 1242 LED Source Lumens 146.1 LED Source Lumens Per Watt 			
	L9.1	<ul style="list-style-type: none"> 30K - 3000K Color Temp 1366.4 LED Source Lumens 150.2 LED Source Lumens Per Watt 			
	L10.2	<ul style="list-style-type: none"> 30K - 3000K Color Temp 1490 LED Source Lumens 146.1 LED Source Lumens Per Watt 			

REPLACEMENT PART	PART NO	NOTES
1' Lens Assembly	38114	
		Don't see the configuration you are looking for? Call us today at (513) 858-6004



TERONLIGHTING.COM
 33 DONALD DR, FAIRFIELD, OH 45014
 P: 513.858.6004 F: 513.858.6038
 E: SALES@TERONLIGHT.COM



We reserve the right to revise the design components of any product due to parts availability or change in UL standards, without assuming any obligation or liability to modify any products previously manufactured, and without notice.

VICEROY DL LED 12"

Architectural Indoor



Fixture Core

PROJECT:	
TYPE:	
PO#:	QTY:
COMMENTS:	

PRODUCT CODE	SOURCE/WATTAGE	VOLTAGE	DIMMING DRIVER
VCY12 - Viceroy 12"	L12.2-ZT350 - 12.5W @ 350mA Dual Dim Driver: ELV, 0-10V, Triac Dimming	120-277V	ZT=Dual Dim ELV, Triac Dimming, 0-10V
ORDER INFO			
VCY12 Example ^	L12.2-ZT350	120-277V	Not Applicable

Aesthetics & Options

TRIM	FINISH	COLOR TEMP	OPTIONS
DL	AC - Antique Copper AS - Antique Silver BT - Bronze Mist BZ - Textured Bronze SM - Matte Silver (Standard) MB - Metallic Black SN - Sand SW - Swedish Steel TB - Textured Black TW - Textured Whit	40K - 4000K Color Temp 35K - 3500K Color Temp 30K - 3000K Color Temp	F - Single Fuse 120-277V JBC - 4" x 4" Junction Box Cover (Mounts to Fixture, Allowing it to be Retro-fitted Over an Existing Junction Box) TP - Tamper-Proof Screw Set
ORDER INFO			
DL Example ^	AC	40K	F

PROD	SOURCE	30K SPECS				
VCY12	L12.2	<ul style="list-style-type: none"> 30K - 3000K Color Temp 1393 LED Source Lumens 146.1 LED Source Lumens Per Watt 				

REPLACEMENT PART	PART NO	NOTES
1' Lens Assembly	38114	
		Don't see the configuration you are looking for? Call us today at (513) 858-6004



TERONLIGHTING.COM
 33 DONALD DR, FAIRFIELD, OH 45014
 P: 513.858.6004 F: 513.858.6038
 E: SALES@TERONLIGHT.COM



We reserve the right to revise the design components of any product due to parts availability or change in UL standards, without assuming any obligation or liability to modify any products previously manufactured, and without notice.