

# DIMARCO 36"

Architectural Indoor



PROJECT:	
TYPE:	
PO#:	QTY:
COMMENTS:	

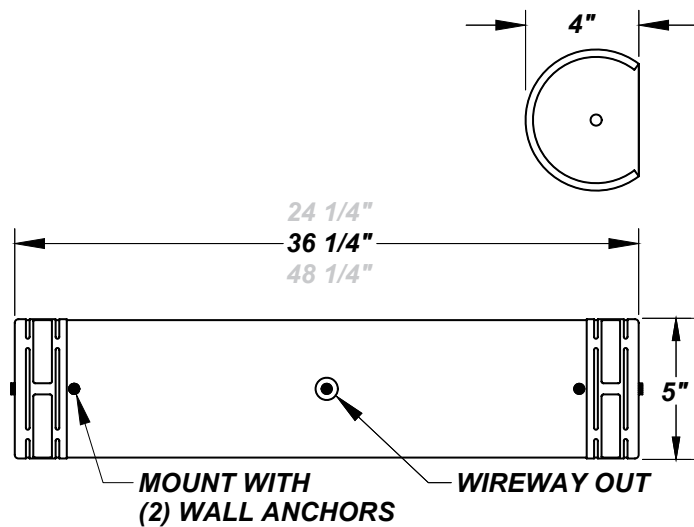
## FEATURES

- Steel Housing w/ White Powder Coat Finish
- Steel End Caps w/ Matte Silver Powder Coat Finish
- Luminous White Acrylic Diffuser
- Mounts Directly to Surface w/ Two Wall Anchors (Not Included)
- ADA Compliant
- CSA Listed Damp Location
- Emergency Battery Available



## LINE DRAWING

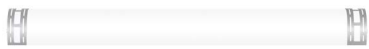
LINE DRAWING NOT TO SCALE



## FINISHES

Antique Copper	Antique Silver	Bronze Mist	Matte Silver	Metallic Black	Sand
Swedish Steel	Textured Black	Textured Bronze	Textured White		

For RAL Colors & Custom Match - Contact Teron Lighting Inc.



# DIMARCO 36"

Architectural Indoor



Fixture Core

PROJECT:	
TYPE:	
PO#:	QTY:
COMMENTS:	

PRODUCT CODE	SOURCE/WATTAGE	VOLTAGE	DIMMING BALLAST
DM36 - DiMarco 36"	<b>125E</b> - (1) 25W T8 <b>225E</b> - (2) 25W T8 <b>221E</b> - (2) 21W T5 <b>239E-HO</b> - (2) 39W T5 HO (High-Output)	<b>120V</b> <b>277V</b>	<b>Not Applicable</b>
ORDER INFO			
DM36	125E	120V	Not Applicable

Example ^ (may not represent a manufacturable product)

Aesthetics & Options

TRIM	FINISH	COLOR TEMP	OPTIONS
<b>Not Applicable</b>	<b>AC</b> - Antique Copper <b>AS</b> - Antique Silver <b>BT</b> - Bronze Mist <b>SM</b> - Matte Silver (Standard) <b>MB</b> - Metallic Black <b>SN</b> - Sand <b>SW</b> - Swedish Steel <b>TB</b> - Textured Black <b>BZ</b> - Textured Bronze <b>TW</b> - Textured White	<b>Not Applicable</b>	<b>DIM</b> - Dimming Ballast (125E & 225E Only) <b>EBR</b> - Remote Mount Battery (Field Installed) <b>EBW</b> - Integral Emergency Battery <b>F</b> - Fused <b>TP</b> - Tamper Resistant Screws
ORDER INFO			
Not Applicable	AC	Not Applicable	DIM

Example ^ (may not represent a manufacturable product)

REPLACEMENT PART	PART NO	NOTES
36" White Acrylic Diffuser	3018560	

Don't see the configuration you are looking for?  
Call us today at (513) 858-6004



**TERONLIGHTING.COM**  
 33 DONALD DR, FAIRFIELD, OH 45014  
 P: 513.858.6004 F: 513.858.6038  
 E: SALES@TERONLIGHT.COM



We reserve the right to revise the design components of any product due to parts availability or change in UL standards, without assuming any obligation or liability to modify any products previously manufactured, and without notice.