

# BRONZE CUP MD LED

Architectural Outdoor



PROJECT:	
TYPE:	
PO#:	QTY:
COMMENTS:	

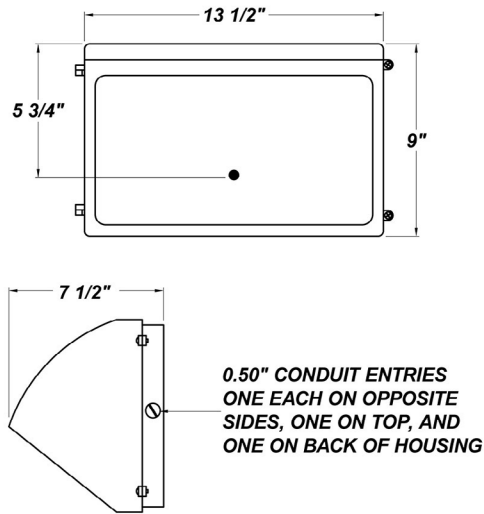
## FEATURES

- 35W LED Module
- 50W LED Driver
- Cast Aluminum Housing w/ Textured Bronze Polyester Powder Coat Finish
- Cast-In Template
- Clear Prismatic Borosilicate Glass Lens
- CSA Listed Wet Location For Wall Mounting (Down Light Only)
- Emergency Battery Available
- Fully Gasketed
- Ideal For Stairwell And Passageway Lighting
- LED Light Fixture
- Mounts Direct to Flat Surface w/ Four #8 Wall Anchors (Not Included)
- Stainless Steel Zinc-Coated Screws
- Surge Protector



## LINE DRAWING

LINE DRAWING NOT TO SCALE



## FINISHES

Antique Copper	Antique Silver	Bronze Mist	Matte Silver	Sand	Swedish Steel
Textured Black	Textured Bronze	Textured White			

For RAL Colors & Custom Match - Contact Teron Lighting Inc.

# BRONZE CUP MD LED

Architectural Outdoor



Fixture Core

PROJECT:	
TYPE:	
PO#:	QTY:
COMMENTS:	

PRODUCT CODE	SOURCE/WATTAGE	VOLTAGE	DIMMING DRIVER
BPM - Bronze Cup MD	L35.0-ZT1050 - 35.0W @ 1050mA ELV Dimming Driver	120V 277V	0-10V Dimming
ORDER INFO			
BPM	L35.0	120V	Not Applicable

Example ^ (may not represent a manufacturable product)

Aesthetics & Options

TRIM	FINISH	COLOR TEMP	OPTIONS
Not Applicable	<b>AC</b> - Antique Copper <b>AS</b> - Antique Silver <b>BT</b> - Bronze Mist <b>SM</b> - Matte Silver <b>SN</b> - Sand <b>SW</b> - Swedish Steel <b>TB</b> - Textured Black (Standard) <b>BZ</b> - Textured Bronze <b>TW</b> - Textured White	<b>40K</b> - 4000K Color Temp <b>50K</b> - 5000K Color Temp	<b>DIM</b> - 0-10V Dimming Driver <b>EBC</b> - Integral EM Battery (-20°C) <b>EBW</b> - Integral EM Battery <b>F</b> - Fused <b>PCL</b> - Photocell <b>PDIM</b> - Pulse Width Dimmable Driver (0 - 10V) <b>SDIM</b> - Step-Dimmable Driver (Dimmable to 25% & 50%) <b>TP</b> - Tamper Resistant Screws
ORDER INFO			
Not Applicable	AC	40K	DIM

Example ^ (may not represent a manufacturable product)

PROD	SOURCE	40K SPECS	50K SPECS			
BPM	L35.0	<ul style="list-style-type: none"> <li>40K - 4000K Color Temp</li> <li>3990 LED Source Lumens</li> <li>97 LED Source Lumens Per Watt</li> </ul>	<ul style="list-style-type: none"> <li>50K - 5000K Color Temp</li> <li>4200 LED Source Lumens</li> <li>102 LED Source Lumens Per Watt</li> </ul>			

REPLACEMENT PART	PART NO	NOTES
Clear Tempered Glass Diffuser	37033	

Don't see the configuration you are looking for?  
Call us today at (513) 858-6004



TERONLIGHTING.COM  
 33 DONALD DR, FAIRFIELD, OH 45014  
 P: 513.858.6004 F: 513.858.6038  
 E: SALES@TERONLIGHT.COM



We reserve the right to revise the design components of any product due to parts availability or change in UL standards, without assuming any obligation or liability to modify any products previously manufactured, and without notice.