

# BARTON CREEK 24"

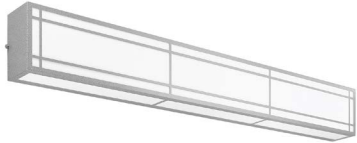
Architectural Indoor



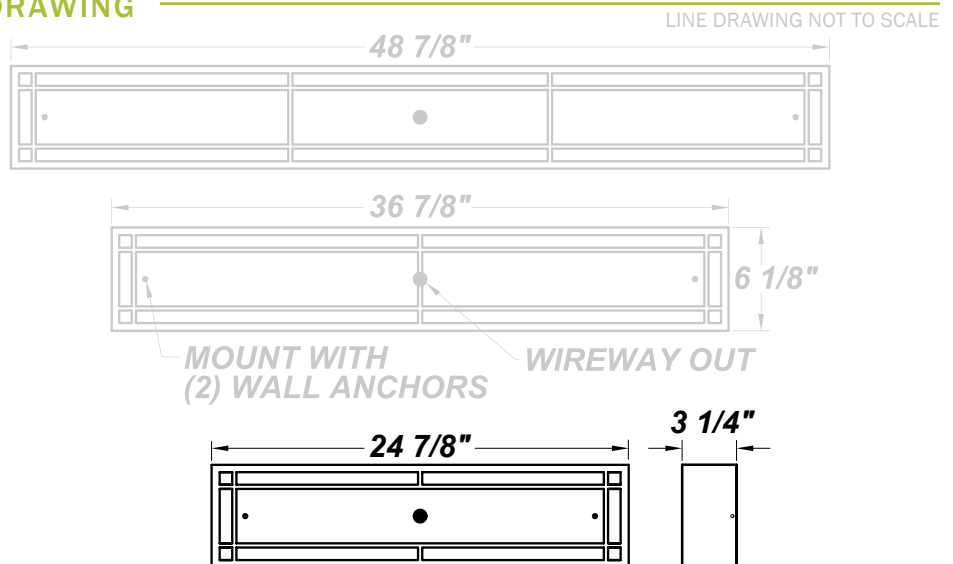
PROJECT:	
TYPE:	
PO#:	QTY:
COMMENTS:	

## FEATURES

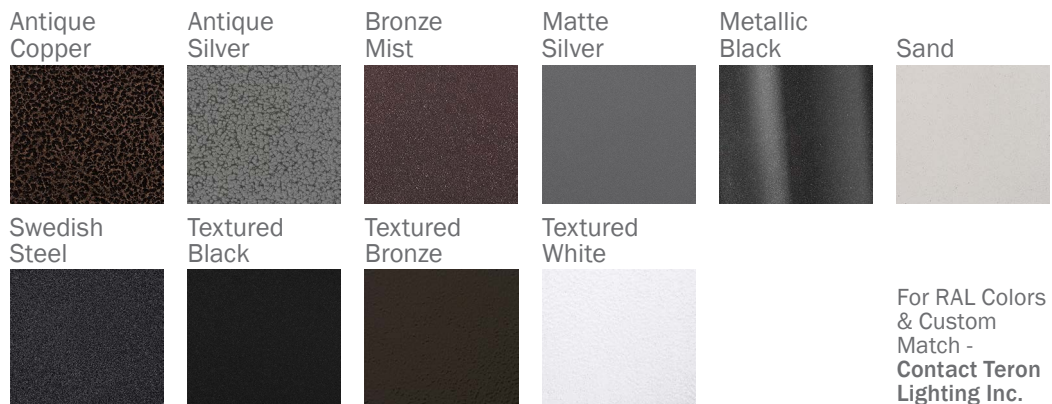
- Steel Housing w/ Swedish Steel Powder Coat Finish
- Steel Mounting Pan w/ Hi-Reflectance White Powder Coat Finish
- Luminous White Acrylic Panels
- Steel Reflector w/ Hi-Reflectance White Powder Coat Finish
- Mounts Directly to Surface w/ Two Wall Anchors (Not Included)
- ADA Compliant
- CSA Listed Damp Location For Wall or Ceiling Mounting (Ceiling Mount Not Available For T5 HO Lamping)



## LINE DRAWING



## FINISHES



# BARTON CREEK 24"

Architectural Indoor



Fixture Core

PROJECT:	
TYPE:	
PO#:	QTY:
COMMENTS:	

PRODUCT CODE	SOURCE/WATTAGE	VOLTAGE	DIMMING BALLAST
BT24 - Barton Creek 24"	217E - (2) 17W T8 214E - (2) 14W T5 224E-HO - (2) 24W T5 HO (High-Output)	120V 277V	Not Applicable
ORDER INFO			
BT24	217E	120V	Not Applicable

Example ^ (may not represent a manufacturable product)

Aesthetics & Options

TRIM	FINISH	COLOR TEMP	OPTIONS
Not Applicable	AC - Antique Copper AS - Antique Silver BT - Bronze Mist SM - Matte Silver MB - Metallic Black SN - Sand SW - Swedish Steel (Standard) TB - Textured Black BZ - Textured Bronze TW - Textured White	Not Applicable	DIM - Dimming Ballast (217E Only) F - Fused TP - Tamper Resistant Screws
ORDER INFO			
Not Applicable	AC	Not Applicable	DIM

Example ^ (may not represent a manufacturable product)

REPLACEMENT PART	PART NO	NOTES
24" White Acrylic Front Lens Panel	3028460	
24" White Acrylic Side Lens Panel	3028360	

Don't see the configuration you are looking for?  
Call us today at (513) 858-6004



TERONLIGHTING.COM  
33 DONALD DR, FAIRFIELD, OH 45014  
P: 513.858.6004 F: 513.858.6038  
E: SALES@TERONLIGHT.COM



We reserve the right to revise the design components of any product due to parts availability or change in UL standards, without assuming any obligation or liability to modify any products previously manufactured, and without notice.