

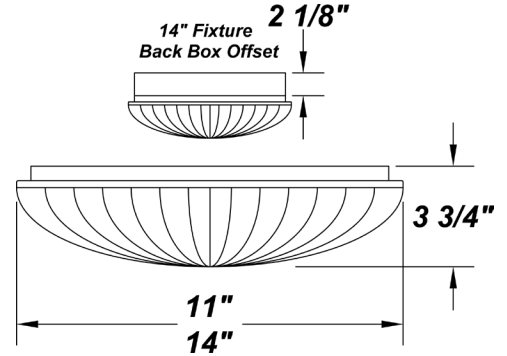
HORIZONS LED



PROJECT :
TYPE :
ORDERING # :
COMMENTS :

FEATURES

- Aluminum Mounting Pan w/ Hi-Reflectance White Powder Coat Finish
- Luminous White Acrylic Diffuser
- Mounts Directly to 4" Junction Box (By Others)
- Mounting Hardware Included
- ADA Compliant
- CSA Listed Damp Location



ORDERING INFORMATION

Example : (HS - L16.3 - 120-277V - ZE560 - 30K)

White is Standard Finish

HS						
PRODUCT	SOURCE/WATTAGE	VOLTAGE	DRIVER OPTIONS	DIFFUSER	FINISH	OPTIONS
Horizons 11" Fixture	L13.0 - (48) LED Array	120 - 277V (50 / 60Hz)	ZE560 - Line Voltage 4-Wire Dimming Driver (For L13.0 & 16.3 Only) (Dimmable 0 - 10V)	WAL - White Acrylic	SM - Matte Silver TB - Textured Black AC - Antique Copper AS - Antique Silver BT - Bronze Mist CP - Copper SN - Sand SW - Swedish Steel BZ - Textured Bronze TW - Textured White	27K - 2700K Color Temperature 30K - 3000K Color Temperature 35K - 3500K Color Temperature 40K - 4000K Color Temperature MSI -MSI-FM105 120/277V MIV - 20 Watt Micro-Inverter (Remote) TP - Tamper-Proof Screw Set F - Fused EB/BB - Bodine BSL26 - Up to 5.1W Emergency Illumination With LEDs (Back Box Required) (14" Fixture Only) - AC Mode 960 Lumens - Battery @ 1 second = 322 Total Lumens - Battery @ 90 Minutes = 291 Total Lumens (Please Specify Voltage) BB - Back Box for 14" Fixture
Horizons 14" Fixture	L16.3 - (60) LED Array L21.0 - (60) LED Array		ZE700 - Line Voltage 4-Wire Dimming Driver (For L21.0 Only) (Dimmable 0 - 10V)		RAL Colors or Custom Match - Consult Factory	

SOURCE/WATTAGE	30K SPECIFICATIONS
L13.0 - (48) LED Array - Constant Current @560mA - 14.95 Input Watts 50,000 Hours(L70)	13.0 LED ARRAY 30K - 3000K Color Temp. - 80 CRI Typ. - 1700 LED Source Lumens - 105 LED Source Lumens Per Watt
L16.3 - (60) LED Array - Constant Current @560mA - 18.64 Input Watts 50,000 Hours(L70)	16.3W LED ARRAY 30K - 3000K Color Temp. - 80 CRI Typ. - 2110 LED Source Lumens - 103 LED Source Lumens Per Watt
L21.0 - (60) LED Array - Constant Current @700mA - 24.08 Input Watts 50,000 Hours(L70)	21.0W LED ARRAY 30K - 3000K Color Temp. - 80 CRI Typ. - 2640 LED Source Lumens - 105 LED Source Lumens Per Watt

REPLACEMENT PARTS	PART NO.
11" Frosted Ribbed Acrylic Diffuser	3010262
14" Frosted Ribbed Acrylic Diffuser	3010362

NOTES

We reserve the right to revise the design or components of any product due to parts availability or change in UL standards, without assuming any obligation or liability to modify any products previously manufactured, and without notice.

