

# GINTY BFP LED

Architectural Outdoor



PROJECT:	
TYPE:	
PO#:	QTY:
COMMENTS:	

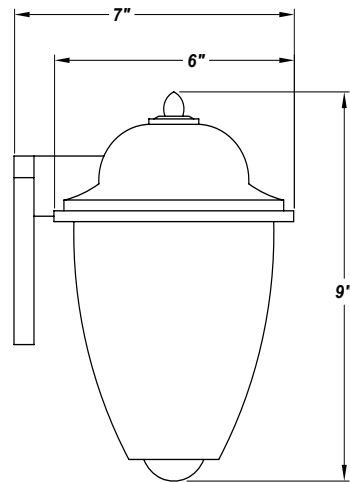
## FEATURES

- Black or White Polycarbonate Housing
- Frosted White Polycarbonate Lens
- Ambient Operating Temperature -40° C (-40° F) to 40° C (105° F)
- Thermal Protected LED Array
- Constant Current at 700 Milliamps
- UL Class 2 Driver - Power Factor >.90
- Estimated 50,000 Hours Life (L70)
- Mounts Directly to 4" Junction Box (By Others)
- LED Light Fixture
- Mounting Hardware Included
- UL Listed Wet Location



## LINE DRAWING

LINE DRAWING NOT TO SCALE



## FINISHES



For RAL Colors  
& Custom  
Match -  
Contact Teron  
Lighting Inc.

# GINTY BFP LED

Architectural Outdoor



Fixture Core

PROJECT:	
TYPE:	
PO#:	QTY:
COMMENTS:	

PRODUCT CODE	SOURCE/WATTAGE	VOLTAGE	DIMMING DRIVER
GY - Ginty BFP	L10.0 - (10.0W) LED Array	120V (50 / 60Hz)	Not Applicable
ORDER INFO			
GY	L10.0	120V	Not Applicable

Example ^ (may not represent a manufacturable product)

Aesthetics & Options

TRIM	FINISH	COLOR TEMP	OPTIONS
Not Applicable	BK - Black WH - White	40K - 4000K Color Temp	PCL120 - Photocell 120V
ORDER INFO			
Not Applicable	BK	40K	PCL120

Example ^ (may not represent a manufacturable product)

PROD	SOURCE	40K SPECS			
GY	L10.0	<ul style="list-style-type: none"> <li>74 CRI Typ.</li> <li>40K - 4000K Color Temp</li> <li>912 LED Source Lumens</li> <li>80 LED Source Lumans Per Watt</li> </ul>			

REPLACEMENT PART	PART NO	NOTES
Not Applicable	Not Applicable	Don't see the configuration you are looking for? Call us today at (513) 858-6004



TERONLIGHTING.COM  
 33 DONALD DR, FAIRFIELD, OH 45014  
 P: 513.858.6004 F: 513.858.6038  
 E: SALES@TERONLIGHT.COM



We reserve the right to revise the design components of any product due to parts availability or change in UL standards, without assuming any obligation or liability to modify any products previously manufactured, and without notice.