

PROJECT :
TYPE :
ORDERING # :
COMMENTS :

GINTY

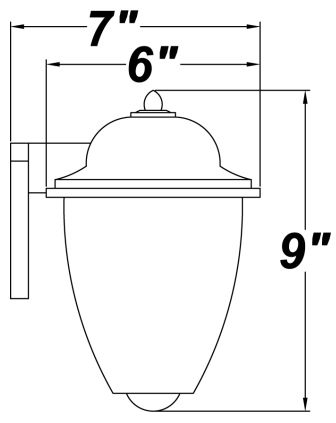


White and Black
Finishes Shown

COMPACT FLUORESCENT

FEATURES

- Black or White Polycarbonate Housing
- Frosted White Polycarbonate Lens
- Mounts Directly to 4" Junction Box (By Others)
- Mounting Hardware Included
- Lamp Included
- Wet Location



ORDERING INFORMATION

Example : (GY113Q - 120E - 35K - BK)

PRODUCT	SOURCE/WATTAGE	VOLTAGE	FASCIA	FINISH	OPTIONS
Ginty	GY113Q - (1) 13W QE GY118Q - (1) 18W QE	120E - Electronic 120V 277E Not Available	Not Applicable	WH - White Polycarbonate (Standard) BK - Black Polycarbonate	41K - 4100K Color Temp. 35K - 3500K Color Temp. 30K - 3000K Color Temp. 27K - 2700K Color Temp. (Standard) F - Fused PCL120 - Photocell 120V TP - Tamper Resistant Screws

REPLACEMENT PARTS **PART NO.**

White Polycarbonate Lens	3413560
White Polycarbonate Housing	6022702
Black Polycarbonate Housing	6022701

NOTES

We reserve the right to revise the design or components of any product due to parts availability or change in UL standards, without assuming any obligation or liability to modify any products previously manufactured, and without notice.

ARRA 2009



BUY AMERICA ACT