

FALDO W

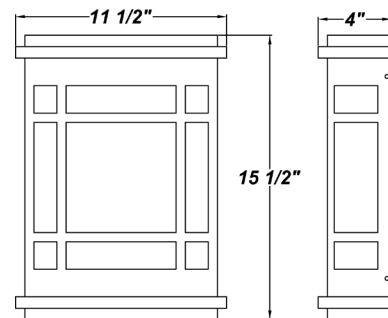


COMPACT FLUORESCENT

PROJECT :
TYPE :
ORDERING # :
COMMENTS :

FEATURES

- Steel Housing w/ Textured Black Powder Coat Finish
- Steel Mounting Pan w/ Hi-Reflectance White Powder Coat Finish
- Solid Top & Bottom Ends
- Luminous White Acrylic Panels
- Mounts Directly to 4" Junction Box (By Others)
- Mounting Hardware Included
- Lamps Included
- Integral EM Battery Available
- ADA Compliant
- ETL Listed Wet Location



ORDERING INFORMATION

Example : (FLW226Q - 120E - WAL - 41K - EBW) Textured Black is Standard Finish

PRODUCT	SOURCE/WATTAGE	VOLTAGE	DIFFUSER	FINISH	OPTIONS
Faldo W	FLW213Q - (2) 13W QE FLW218Q - (2) 18W QE FLW226Q - (2) 26W QE	120E - Electronic 277E - Electronic	WAL - White Acrylic	SM - Matte Silver TB - Textured Black AC - Antique Copper AS - Antique Silver BT - Bronze Mist CP - Copper SN - Sand SW - Swedish Steel BZ - Textured Bronze TW - Textured White RAL Colors or Custom Match - Consult Factory	41K - 4100K Color Temp. 35K - 3500K Color Temp. 30K - 3000K Color Temp. 27K - 2700K Color Temp. (Standard) F - Fused TP - Tamper Resistant Screws DIM - Dimming Ballast EBW - Integral Emergency Battery* W2L - Wire 2 Lamps to Integral Emergency Battery (2X18W Max) PCL - Photocell MSP - Program Start Ballast (Recommended for Motion Sensor) ***

REPLACEMENT PARTS PART NO.

Front White Acrylic Lens Panel	3047760
Front White Alabaster Lens Panel	3047759
Side White Acrylic Lens Panel (2 Per)	3047860
Side White Alabaster Lens Panel	3047859

We reserve the right to revise the design or components of any product due to parts availability or change in UL standards, without assuming any obligation or liability to modify any products previously manufactured, and without notice.

NOTES

***Emergency Battery Options**
Initial light output in Emergency mode will last for a minimum of 90 minutes. 1 lamp wired unless ordered otherwise. The following are suitable for indoor and damp locations. Please refer to Bodine's specification sheet

EBW:
Bodine's B94G (Electronic) - Temperature Rating (Ambient) 32° F - 122° F

EBR:
Bodine's B94CG (Electronic) - Temperature Rating (Ambient) 32° F - 122° F



*** For Electronic Wattage Fixtures Being Used in Conjunction With an Occupancy Sensor (Either Provided by us, or Your Own System), a Program Start Ballast is Recommended in Order to Maximize Lamp Life.