

# WOODSTOCK LED

Architectural Indoor



PROJECT:		
TYPE:		
PO#:		QTY:
COMMENTS:		



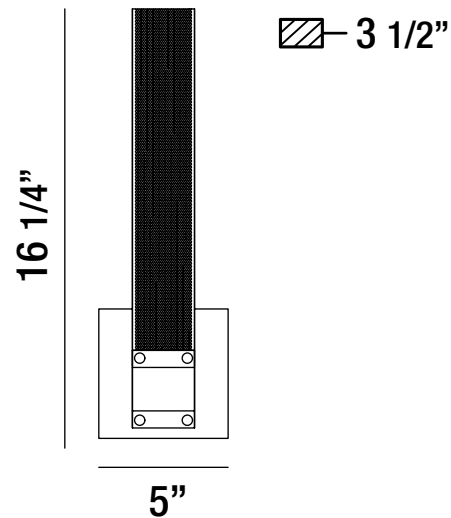
## FEATURES

- ADA Compliant
- Dimmable @ 120V
- Dual Finish
- ETL/cETL Listed for Damp Locations
- LED Light Fixture
- Steel Composition
- T24 Listed
- Wall Mounted
- 6.4 lbs.
- 90 CRI



## LINE DRAWING

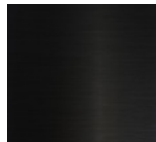
LINE DRAWING NOT TO SCALE



## FINISHES

Gold

Matte Black



For RAL Colors  
& Custom  
Match -  
Contact Teron  
Lighting Inc.

# WOODSTOCK LED

Architectural Indoor



Fixture Core

PROJECT:	
TYPE:	
PO#:	QTY:
COMMENTS:	

PRODUCT CODE	SOURCE/WATTAGE	VOLTAGE	DIMMING DRIVER
<b>WDS - Woodstock LED</b>	<b>L19.0-LT1000 - 19.0W @ 1000mA ELV Low Voltage 2-Wire Dimming Electronic Driver (Leading or Trailing Edge)</b>	<b>120V</b>	<b>TRIAC Dimming @ 120V</b>
ORDER INFO			
WDS Example ^	L19.0-LT1000	120V	TRIAC

Aesthetics & Options

TRIM	FINISH	COLOR TEMP	OPTIONS
<b>Not Applicable</b>	<b>GLD/MB - Gold/Matte Black</b>	<b>30K - 3000K Color Temp</b>	<b>Not Applicable</b>
ORDER INFO			
Not Applicable Example ^	GLD/MB	30K	Not Applicable

PROD	SOURCE	30K SPECS				
<b>WDS</b>	L19.0	<ul style="list-style-type: none"> <li>• 30K - 3000K Color Temp</li> <li>• 420 LED Source Lumens</li> <li>• 22.1 LED Source Lumens Per Watt</li> <li>• 388 Delivered Lumens</li> <li>• 20.4 Delivered Lumens Per Watt</li> </ul>				

REPLACEMENT PART	PART NO	NOTES
		Don't see the configuration you are looking for? Call us today at (513) 858-6004



**TERONLIGHTING.COM**  
 33 DONALD DR, FAIRFIELD, OH 45014  
 P: 513.858.6004 F: 513.858.6038  
 E: SALES@TERONLIGHT.COM

We reserve the right to revise the design components of any product due to parts availability or change in UL standards, without assuming any obligation or liability to modify any products previously manufactured, and without notice.