

**TIGER ZCR**



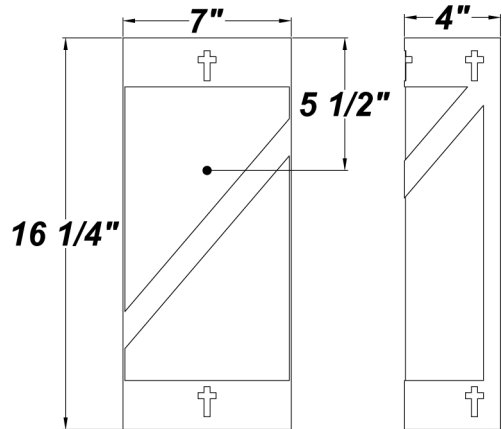
Antique Copper Finish Shown

COMPACT FLUORESCENT

PROJECT :
TYPE :
ORDERING # :
COMMENTS :

**FEATURES**

- Steel Fascia w/ Matte Silver Powder Coat Finish
- Steel Mounting Pan w/ Luminous White Powder Coat Finish
- Luminous White Acrylic Diffuser
- Open Top & Bottom
- Mounts Directly to 4" Junction Box (By Others)
- Mounting Hardware Included
- Lamps Included
- ADA Compliant
- CSA Listed Dry Location



**ORDERING INFORMATION**

Example : (TG - ZCR - F226Q - 120E - TB - 41K)

Matte Silver is Standard Finish

PRODUCT	SOURCE/WATTAGE	VOLTAGE	DIFFUSER	FINISH	OPTIONS
Tiger ZCR	F213Q - (2) 13W QE F218Q - (2) 18W QE F226Q - (2) 26W QE	120E - Electronic 277E - Electronic	Not Applicable	SM - Matte Silver TB - Textured Black AC - Antique Copper AS - Antique Silver BT - Bronze Mist CP - Copper KC - Kenworth Chrome SN - Sand SW - Swedish Steel BZ - Textured Bronze TW - Textured White  RAL Colors or Custom Match - Consult Factory	41K - 4100K Color Temp. (Standard) 35K - 3500K Color Temp. 27K - 2700K Color Temp. F - Fused DIM - Dimming Ballast (QE Electronic Only) TCV - Perforated Steel Top Cover TBC - Perforated Steel Top & Bottom Covers EBR - Remote Mount Battery (Field Installed)*

**REPLACEMENT PARTS**

**PART NO.**

White Acrylic Lens	3088560
--------------------	---------

**NOTES**

**\*Emergency Battery Options**

Initial light output in Emergency mode will last for a minimum of 90 minutes. 1 lamp wired unless ordered otherwise. The following are suitable for indoor and damp locations. Please refer to Bodine's specification sheet

**EBR:**

Bodine's B94CG (Electronic) - Temperature Rating (Ambient) 32° F - 122° F

We reserve the right to revise the design or components of any product due to parts availability or change in UL standards, without assuming any obligation or liability to modify any products previously manufactured, and without notice.

ARRA 2009



BUY AMERICA ACT

Compliant

US