

THOUSAND OAKS Ctc

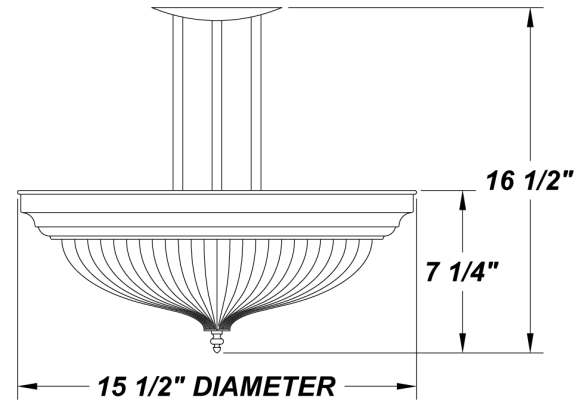


COMPACT FLUORESCENT

PROJECT :
TYPE :
ORDERING # :
COMMENTS :

FEATURES

- Steel Housing & Finial w/ Polished Brass Plated Finish
- Frosted, Ribbed, White Glass Diffuser
- Mounts Directly to 4" Junction Box (By Others)
- Mounting Hardware Included
- Lamps Included
- ETL Listed Damp Location



ORDERING INFORMATION

Example : (TDS226Q - 120E - PB - 35K)

Polished Brass is Standard Finish

PRODUCT	SOURCE/WATTAGE	VOLTAGE	DIFFUSER	FINISH	OPTIONS
Thousand Oaks Ctc	TDSP213Q - (2) 13W QE TDSP218Q - (2) 18W QE TDSP226Q - (2) 26W QE	120E - Electronic 277E - Electronic	Not Applicable	PB - Polished Brass Plate SM - Matte Silver TB - Textured Black AC - Antique Copper AS - Antique Silver BT - Bronze Mist CP - Copper SN - Sand SW - Swedish Steel BZ - Textured Bronze TW - Textured White RAL Colors or Custom Match - Consult Factory	41K - 4100K Color Temp. 35K - 3500K Color Temp. 27K - 2700K Color Temp. (Standard) F - Fused DIM - Dimming Ballast (QE Electronic Only) EBR - Remote Mount Battery (Field Installed)*

REPLACEMENT PARTS PART NO.

Frosted, Ribbed, White Glass Diffuser 3715060

We reserve the right to revise the design or components of any product due to parts availability or change in UL standards, without assuming any obligation or liability to modify any products previously manufactured, and without notice.

NOTES

***Emergency Battery Options**

Initial light output in Emergency mode will last for a minimum of 90 minutes. 1 lamp wired unless ordered otherwise. The following are suitable for indoor and damp locations. Please refer to Bodine's specification sheet

EBR:

Bodine's B94CG (Electronic) - Temperature Rating (Ambient) 32° F - 122° F

ARRA 2009



BUY AMERICA ACT