

PROJECT :
TYPE :
ORDERING # :
COMMENTS :

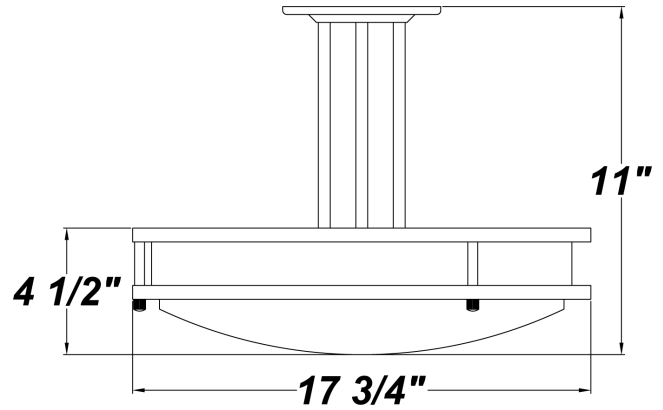
**NIKE P 18 INCH**

**FEATURES**



COMPACT FLUORESCENT

- Die-Form Cold-Rolled Steel Housing w/ Brushed Nickel Plated Finish
- Steel Trim w/ Brushed Nickel Plated Finish
- Steel Canopy & Stems w/ Brushed Nickel Plated Finish
- Steel Mounting Pan w/ Hi-Reflectance White Powder Coat Finish
- Luminous White Acrylic Diffuser
- Mounts Directly to 4" Junction Box (By Others)
- Mounting Hardware Included
- Lamps Included
- Dry Location



**ORDERING INFORMATION**

Example : (NEP18 - 226Q - 120E - SM - 41K) Brushed Nickel is Standard Finish

PRODUCT	SOURCE/WATTAGE	VOLTAGE	DIFFUSER	FINISH	OPTIONS
<b>NEP18</b> (17 3/4" Fixture)	NEP18-226Q - (2) 26W QE ** NEP18-313Q - (3) 13W QE NEP18-318Q - (3) 18W QE NEP18-326Q - (3) 26W QE NEP18-140CE - (1) 40W T5 Circ NEP18-162CE - (1) 22W & 40W T5 Circ  Fixtures With a ** Are Available With a Dimming Option	120E - Electronic 277E - Electronic	<b>Not Applicable</b>	BN - Brushed Nickel Plate SM - Matte Silver TB - Textured Black AC - Antique Copper AS - Antique Silver BT - Bronze Mist CP - Copper KC - Kenworth Chrome SN - Sand SW - Swedish Steel BZ - Textured Bronze TW - Textured White  RAL Colors or Custom Match - Consult Factory	41K - 4100K Color Temp. 35K - 3500K Color Temp. 27K - 2700K Color Temp. (Not Available for T5 Circ) DIM - Dimming Ballast ** (2 Lamp QE Electronic Only)

**REPLACEMENT PARTS**      **PART NO.**

**NOTES**

We reserve the right to revise the design or components of any product due to parts availability or change in UL standards, without assuming any obligation or liability to modify any products previously manufactured, and without notice.

