

**MYRTLE BEACH CtC**

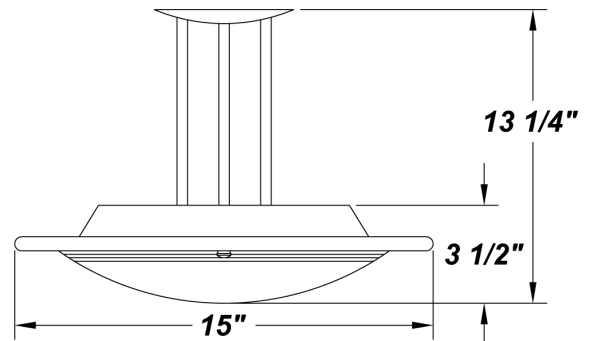


COMPACT FLUORESCENT

PROJECT :
TYPE :
ORDERING # :
COMMENTS :

**FEATURES**

- Silk-Screened White Glass Diffuser
- Aluminum Mounting Pan & Stems w/ Black Powder Coat Finish
- Mounts Directly to 4" Junction Box (By Others)
- Mounting Hardware Included
- Lamps Included
- ADA Compliant
- ETL Listed Damp Location



**ORDERING INFORMATION**

Example : (MHP213Q - 120E - TW - 41K)

Black is Standard Finish

PRODUCT	SOURCE/WATTAGE	VOLTAGE	DIFFUSER	FINISH	OPTIONS
Myrtle Beach CtC	MHP113Q - (1) 13W QE MHP213Q - (2) 13W QE MHP118Q - (1) 18W QE MHP218Q - (2) 18W QE MHP126Q - (1) 26W QE	120E - Electronic 277E - Electronic	Not Applicable	BK - Black (Standard) SM - Matte Silver TB - Textured Black AC - Antique Copper AS - Antique Silver BT - Bronze Mist CP - Copper KC - Kenworth Chrome SN - Sand SW - Swedish Steel BZ - Textured Bronze TW - Textured White  RAL Colors or Custom Match - Consult Factory	41K - 4100K Color Temp. 35K - 3500K Color Temp. 27K - 2700K Color Temp. (Standard) F - Fused DIM - Dimming Ballast (QE Electronic Only) EBR - Remote Mount Battery (Field Installed)*

**REPLACEMENT PARTS**

**PART NO.**

Silk-Screened White Glass Diffuser	3701460
------------------------------------	---------

**NOTES**

**\*Emergency Battery Options**

Initial light output in Emergency mode will last for a minimum of 90 minutes. 1 lamp wired unless ordered otherwise. The following are suitable for indoor and damp locations. Please refer to Bodine's specification sheet

**EBR:**

Bodine's B94CG (Electronic) - Temperature Rating (Ambient) 32° F - 122° F

ARRA 2009



BUY AMERICA ACT

We reserve the right to revise the design or components of any product due to parts availability or change in UL standards, without assuming any obligation or liability to modify any products previously manufactured, and without notice.